

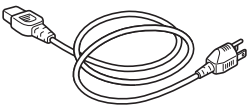
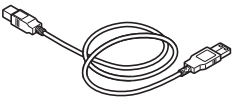

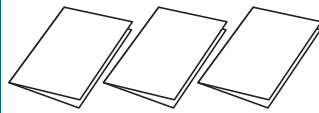
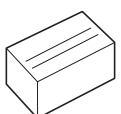
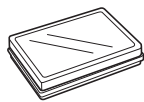
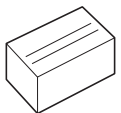
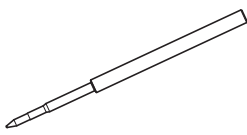
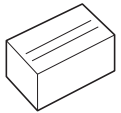
CE7000-130AP SETUP MANUAL

This manual provides the setup procedure.
For details on each function, refer to the instruction manual (PDF) in the supplied CD.

Checking the Accessories

Please check that all the accessories are complete.
If you find any accessories missing, please contact the distributor where you purchased or our customer center immediately.

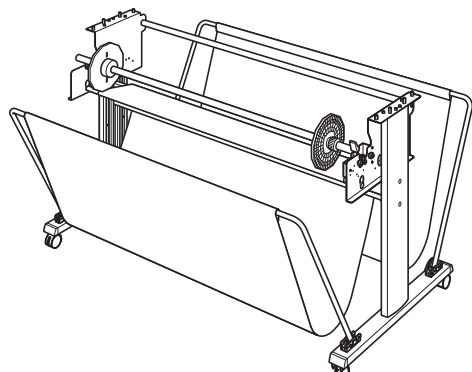
Accessories

Power cable 1 pc.	USB cable 1 pc.
	
CD (Various software/User's Manual (pdf)) 1 pc.	SETUP MANUAL, TO ENSURE SAFE AND CORRECT USE, Cutter Blade Manual 1 of each
	
Cutter plunger (PHP33-CB09N-HS) 1 pc.	Cutter blades (CB09UB (1P)) 1 pc.
	
Oil-based ballpoint pen plunger (PHP34-BALL) 1 set	Oil-based ballpoint pen (KB700-BK-1P) 1 pc.
	
Cutter blade adjustment magnifier (PM-CT-001) 1 pc.	
	

- * In addition, various information may be attached.
- * Accessories may vary depending on the sales area.
- * For details, please contact the distributor where you purchased.

Dedicated accessories

A stand (with a basket) is supplied.



Installing driver/software

The latest driver / software version and installation instructions are available at:

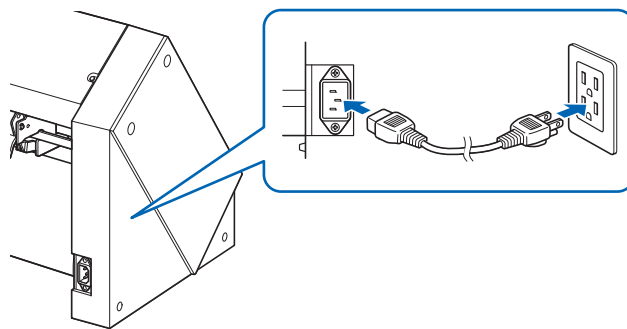
<http://www.graphteccorp.com/support/index.html>

Please download it if necessary.

- Windows driver (Do not connect the computer to the cutting plotter before installing.)

Connecting to the Power

Make sure that the power switch is off (O side), and make a connection between the power connector of the cutting plotter and the AC outlet of specified voltage using the supplied power cable.

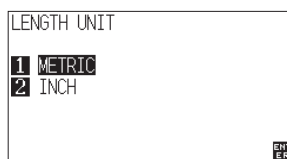


Initial setup screen

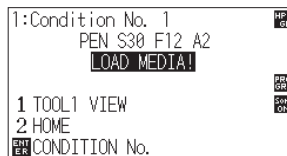
The initial setup screen is displayed only when the power is first turned on. Then select "DISPLAY LANGUAGE" and "LENGTH UNIT". When the power switch is turned on (I side), a message is displayed after displaying the version.



Select a language (English) and press the [ENTER] key.



Select the length unit and press the [ENTER] key.



It will return to default screen.

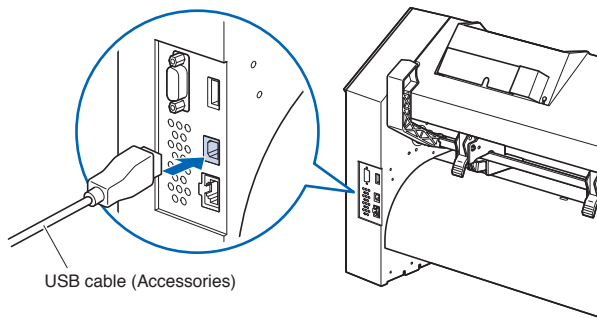


Connection to computer

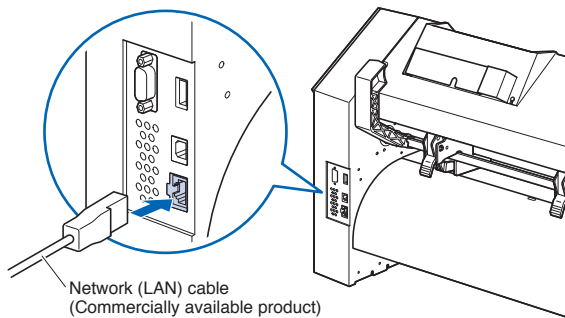
Make a connection between the cutting plotter and the computer using your interface cable. The available interface is USB/Network/RS-232C (It depends on the sales area.).

* Please install driver before connecting.

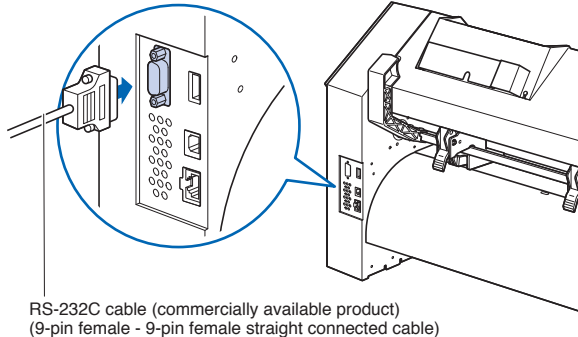
<Connection via USB interface>



<Connection via network (LAN) interface>



<Connection via RS-232C interface>

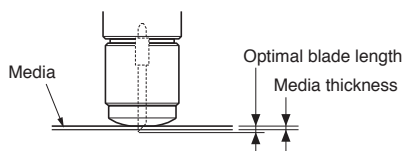


Preparation of cutter plunger

Set the cutter blade in the cutter plunger and then use it with the cutter plotter. Set the cutter blade in the cutter plunger according to the instruction manual supplied with the cutter plunger.

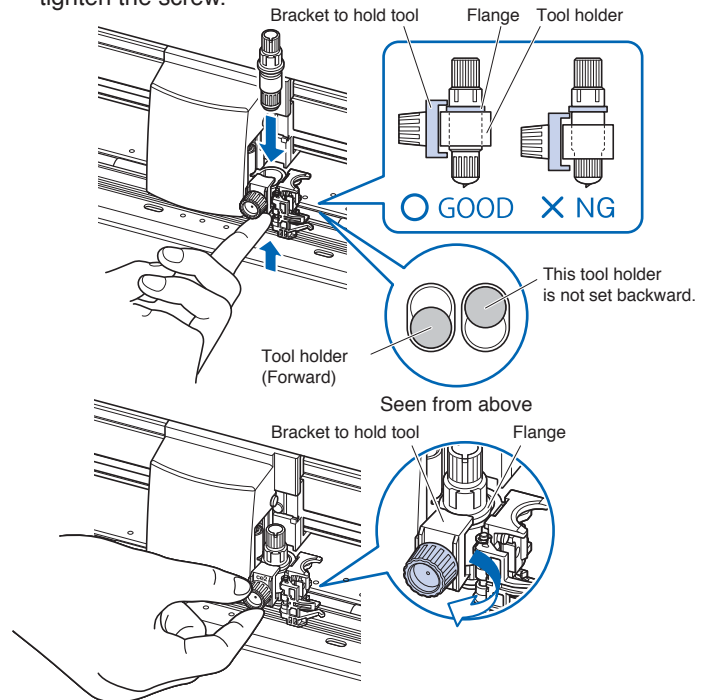
Adjusting the blade length

Refer to the instruction manual supplied with the cutter plunger and adjust the blade length according to the media. The blade will gradually extend to suit the thickness of the media being cut; the optimal length is slightly greater than the thickness of the media. A test cut will then be performed, and the blade length adjusted if there is any media left uncut. When using the thin media such as a film, adjust the blade length using the supplied loupe. (Refer to User's Manual.)



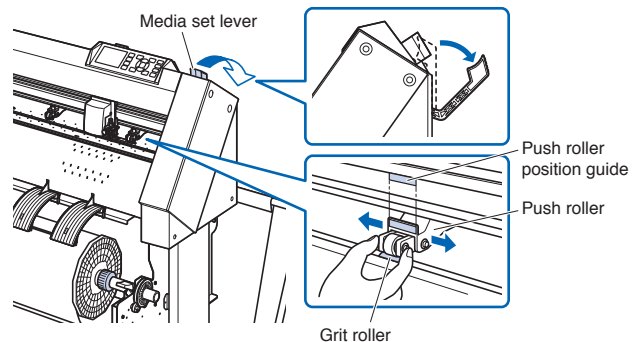
Attaching a Tool

Loosen the screw of the tool holder and push the tool (plunger) completely until it touches the top surface of tool holder while pushing up the tool holder up. Make sure that the bracket (gray) is engaged on the tool's flange, and then tighten the screw.

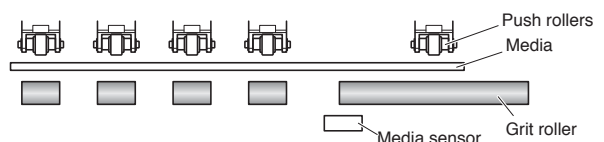


Aligning the push roller

Lower the media set lever to raise the push rollers. Adjust the left and right push roller positions according to the width of the media. Use the roller position guide to place the push rollers on both ends of the media and the right push roller on the rightmost wide grit roller.

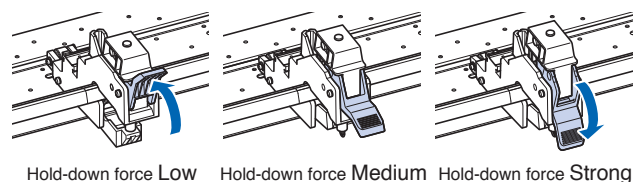


Place all push rollers on the grit roller.



Push roller's hold-down force

In models with a push roller's hold-down force switching mechanism, make the left and right push roller's hold-down force equal. For details on the each push roller's force setting, refer to the instruction manual.



Media set selection

Load the media, raise the media set lever, and lower the push roller. Select the media type according to the set media type.

SELECT 1 ROLL-1 FRONT EDGE 2 ROLL-2 CURRENT POSITION 3 SHEET	SELECT 1 ROLL-1 FRONT EDGE 2 ROLL-2 CURRENT POSITION 3 SHEET 4 CONTINUE
--	---

1 ROLL-1 FRONT EDGE:

The media is cut from the front edge. The media width and front edge are detected.

2 ROLL-2 CURRENT POSITION:

The media is cut from the set position. Only the media width is detected.

3 SHEET:

The sheet media is cut. The media width, front edge and back edge of sheet media are detected.

4 CONTINUE:

This is displayed when the media set lever is raised and lowered again after loading the media once. The previous plotting/cutting range and tool position are maintained.

After the media is detected, the Ready screen is displayed.

1:Condition No. 1 PEN S30 F12 A2 READY	HP GLE
1 TOOL1 VIEW 2 HOME CON CONDITION No.	PRO OVER SYN ON

Cutting condition setting

Press the "COND/TEST" key and set the cutting conditions. TOOL, OFFSET, SPEED, FORCE and ACCELERATION are included in the setting items. For details on each setting item, refer to the USER'S MANUAL.

1 Condition No. 1 2 TOOL : PEN 3 SPEED : 30 cm/s 4 FORCE : 12	1/3
1 ACCELERATION : 2 3 TANGENTIAL MODE 4 OVERCUT	2/3

Cutting test

Press the [◀] key on the CONDITION setting screen to start a test cut.

1 Co 2 TO USE THE POSITION KEY 3 SP TO MOVE THE TOOL AND 4 FO THEN PRESS ENTER. CANCEL	1/3
--	-----

Check the result of the test cut and adjust the SPEED, FORCE and ACCELERATION to the optimum value. When a general cutting media is used, set to a value that will cause a thin scratch on the backing sheet.

How to check offset

Check if the offset value is set correctly by following.

