

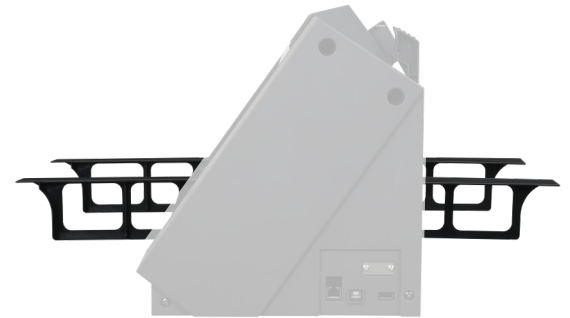
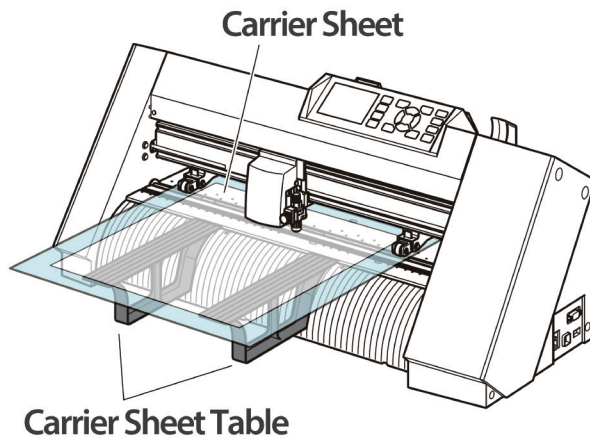
CE7000

CARRIER SHEET TABLE

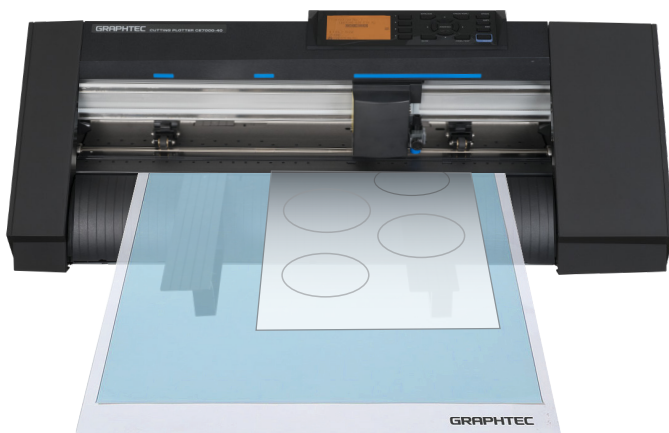
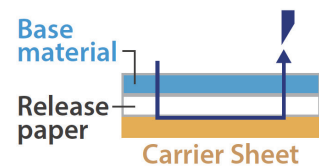
CE7000-40 | CE7000-60

The Graphtec Carrier Sheet Table for the CE7000-40 / 60 cutter models is an optional accessory that can be attached to the front and back of the machine.

The assembled table attachments support carrier sheets that allow you to feed and cut media requiring a flat surface or backing.



- Made for any material requiring a carrier sheet such as thin paper or any material without a backer liner.
- Eliminates bowing when cutting rigid material like card stock.



Carrier Sheet Table (OPH-A45)
Includes 4 ea table brackets
(carrier sheet sold separately)

