

F-Mark

Auto sheet feeder

Setup user's manual

F-Mark setup user's manual_E05

- Read this manual carefully before using the machine.
- Keep the manual in a handy place for future reference.

CONTENTS

Safety Precautions	1
Terms of use for F-Mark	2
Necessary items in advance for installing F-Mark	3
Main Specifications	4
External Dimensions	5
Accessories	6
Name and Functions of F-Mark	8
Install iMark software	10
How to attach the USB Hub to F-Mark	12
Cable connection	13
How to install the F-Mark	14
How to attach the camera to the CE6000Plus	17
Setting of CE6000Plus	19
Initial setting on CE6000Plus for F-Mark	20
Calibration of the F-Mark	22
How to adjust the position of F-Mark and Push Roller	26
Cutter Plunger attaching position of the CE6000Plus	27
Test Cut	28
Adjustment of cutting position	30
How to load the media into the F-Mark	31
How to use the Stopper Plate	32
How to attach the Extension Plate	33
How to replace the Suction Cups and Insertion Flap	35
Troubleshooting	36

Safety Precautions



WARNING



Indicates a potentially hazardous situation if not avoided, could result in death or serious injuries.

Following these guidelines to avoid to the risk of fire, burns, injury, electro shocks, rupture, overheating, abnormal odors or smoke.

- Always use the recommended AC adapter (EA10682U-120 from EDAC Power) for the F-Mark feeder to prevent any damage or failure.
- The rated voltage is 100-240V AC 50-60Hz.
- Do not touch the F-Mark device during a lightning storm.
- Do not use the machine / AC adapter in place of high humidity.
- Do not overload the power cord.
- Do not place heavy objects on, or damage the power cord or plug.
- Do not forcibly bend or pull the power cord.
- Make sure that the plug is fully inserted in the power outlet. Do not use outlet that is loose.
- Do not allow the machine / AC adapter / power plug to get wet for example, by handling them with wet hands or spilling beverages onto them.
- Do not disassemble or modify the F-Mark / AC adapter.
- Disconnect the AC adapter and stop using the machine if you notice abnormal odor, heat, discoloration, deformation or anything unusual while using it.



CAUTION

Indicates a potentially hazardous situation which, if not avoided could result in minor or moderate injury.

Follow these guidelines to avoid the risk of injury, electro shocks, or damages to the F-Mark.

- When placing the F-Mark device, allow enough table space, take in consideration the vibrations generated during operations.
- Ignoring to do this might cause the product or part of it to fall out of position, resulting in possible body injury or malfunction of the product.
- Do not use or store the product is exposed to direct sunlight, water or oil splashes, salty air or saltwater, dust or humidity, flammable gas.
- Do not touch the paper sheets during operation, the paper edge can cut seriously your skin.
- Do not approach with your face to the moving arm and moving paper sheet.
- Do not attempt to lubricate the mechanisms.
- Do not apply force or object weights on the moving arm.
- Lay the power adapter in a position so the green light is visible.
- The will alert if the adapter should accidentally go off due to external effects. If for any reason the green light goes off, disconnect the AC power cord from the wall.
- Be sure to grasp the plug, not the cable, when disconnecting the power supply from an electric form an electric socket.

Terms of use for F-Mark

Restriction on use F-Mark

- F-Mark cannot be connected with other cutting plotter.
- F-Mark cannot be use with Plug-in software and Graphtec Design software with accessories of CE6000Plus and CE6000.
- F-Mark cannot be use with "Simple Mode" of CE6000Plus and CE6000.
- Use F-Mark with "ROLL-2 CURRENT POSITION" of CE6000Plus and CE6000.
- Disable the "Sleep Mode" and "Screen Saver" of the operate computer of F-Mark.
- When using the F-Mark, the holder for pen cannot use be in CE6000Plus and CE6000.
- iMark software cannot be load the file name of 2byte characters, use the file name of alphabet and number.
- iMark software only can load file Illustrator version 8.
- When installing the F-Mark under the strong lighting environment such as spotlight, it may not operate properly.
- F-Mark can be used with CE6000-40 too.
- F-Mark corresponds to the following CE6000Plus firmware version and CE6000 firmware version. Make sure to that the firmware version of CE6000Plus or CE6000 before connecting to the F-Mark.

Firmware version CE6000Plus:Version 1.10 or later

CE6000 :Version 2.50 or later

If firmware version of CE6000Plus or CE6000 is not corresponds to the F-Mark, the F-Mark does not be operate properly.

Media restrictions to be used with the F-Mark

- Curled media cannot be use with the F-Mark.
- Thick media my not be use with the F-Mark because it interferes with Media Separation Flap.
- Perforated media my not be use with the F-Mark because it is possibility of double feedings.
- The maximum number of media that can be load to the Supply tray of F-Mark is 200 sheets or 35 mm in height.The thick media cannot be loaded 200 sheets into the F-Mark.
- When the media that under cutting interferes with the media in the Exit tray, remove the media periodically from the Exit tray.

Cutting area

The cutting are of F-Mark as follows.

- Minimum distance from front edge of media to cutting line.
Adhesive cut :20 mm (Recommended value :30 mm)
Die cutting :25 mm (Recommended value :35 mm)
- Minimum distance from rear end of media to cutting line.
5 mm (Recommended value : 15mm)
- Minimum distance from top edge of media to cutting line.
5 mm (Recommended value : 15 mm)

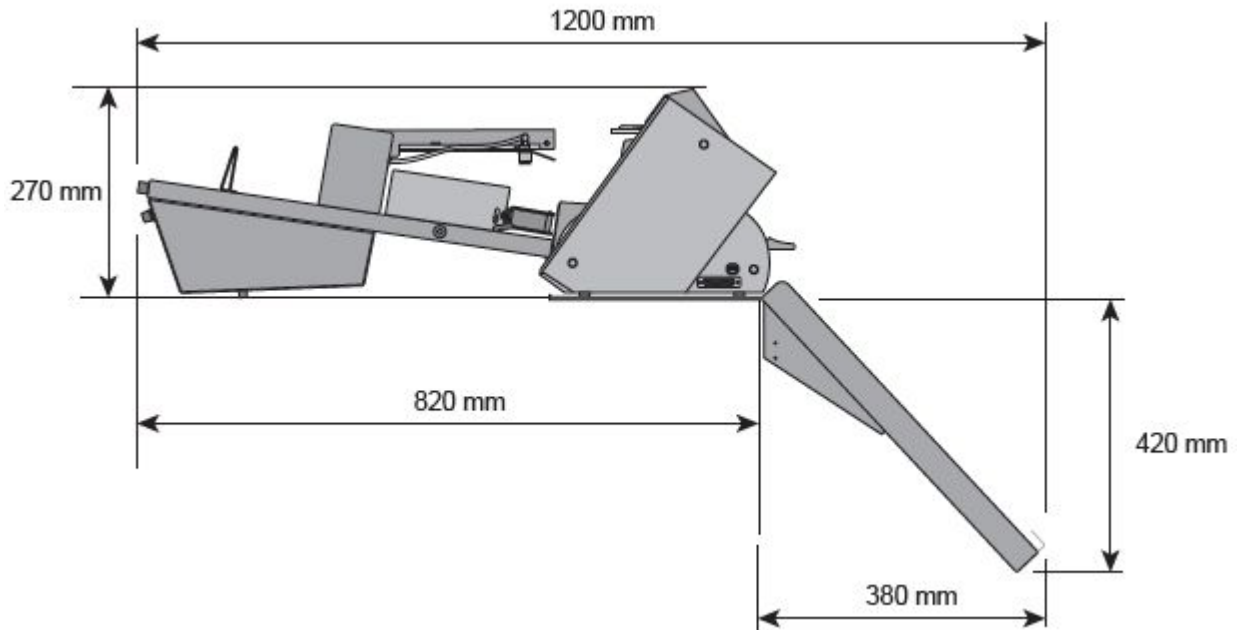
We recommend using recommended values for stable media feeding and stable cutting.

When minimum distance selected, the media may not be fed correctly depending on the media type and cutting shape.

Necessary items in advance for installing F-Mark

Please prepare the working table of the following size as installation spec of F-Mark
The necessary space is 800 mm or more in width, 820 mm or more in length, 420 mm or more in height.

Because the Exit tray hangs 420 mm from the top of working table.



Please prepare the 4 places of electrical outlet, for F-Mark, for CE6000Plus, for AC power adapter of USB Hub, for operation computer.

Main Specifications

The F-Mark automatic feeder is part of the CE6000Plus ASF(Auto Sheet Feeder) system.

It allows automatic operations for contour cutting on printed adhesive sheets or cardboard.

The system is composed by an automatic feeder, a cutting plotter, a dedicated software with optical detection features and exit tray. A mobile lever equipped with vacuum suction cups lift the sheets from the inbox tray and insert them into the plotter.

The F-Mark feeder is equipped with an internal vacuum pump, which does not require external air connection.

The system is connected to a computer using USB cable, the dedicated software must be installed on a PC on Windows OS.

The safety precautions and specification here are referred to the feeder unit only.

For safety precautions and specifications of plotter, refer to the CE6000 user's manual.

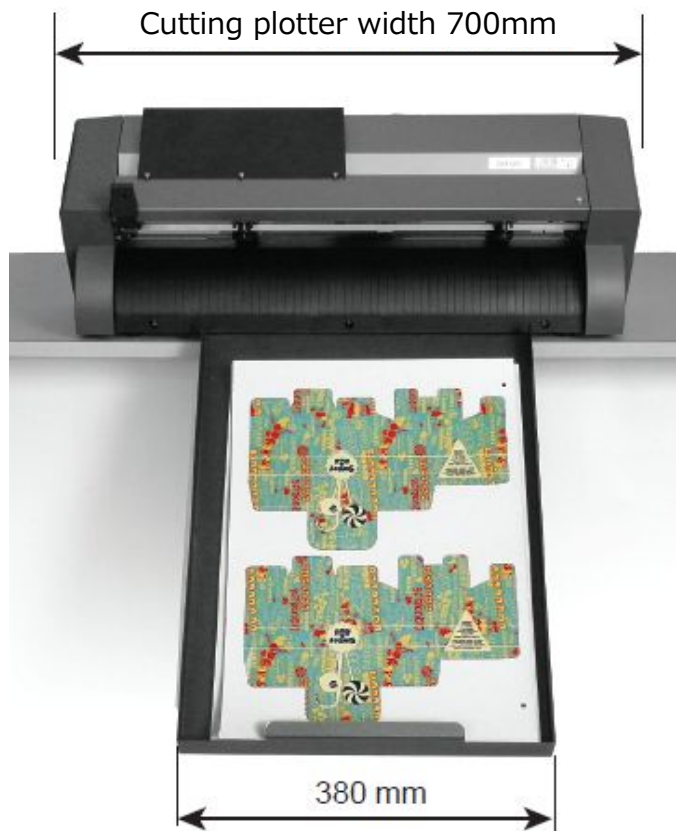
Media size	Width:297 to 350mm Length:210 to 500mm up to 700mm with optional extender A4,A3,SRA3,Extended A3.
Sheet capacity	Media supply tray:about 200 sheets (limit depending on media thickness) Max height:35mm (depending on type of media)
Sheet weight	350g/m ²
Power source	AC100V to 240V 50/60Hz
Power consumption	60W
Weight	Sheet feeder:10kg Exit tray:4kg
Feeding system	Internal vacuum pump
Feeding time	5 seconds
Media separation	Air blowers, variable air stream separation
Compatible OS	Windows 7/8/ 8.1/10 (32bit/64bit)
Interface	USB
Dimensions (L)x(W)x(H)	Feeder:590x430x220mm System Feeder+Cutting Plotter+Exit tray 1200x680x270mm(Height from table top)
Optional parts	Extender to 700mm sheets Stopper for small formats
Operating environment	10 to 30°C, 35 to 75%R.H.(non-condensing)
Storage environment	10 to 40°C, 25 to 75%R.H.(non-condensing)
Installation space(L)x(W)	Tabletop 820x750mm

External Dimensions

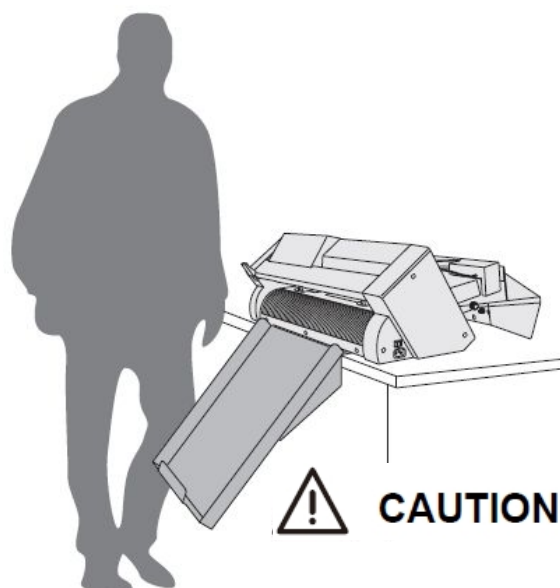
The tabletop length to accommodate the system is 820mm.

The width is 700mm with CE6000-40Plus.

Allow 50mm of clearance on the right and left side to accommodate the power cord and the USB cable.



When you choose a location for the CE6000Plus and Auto Sheet Feeder system note that the exit tray extends for 350mm and must be positioned in a location free of tight passage to avoid hitting it when walking by.




Accessories

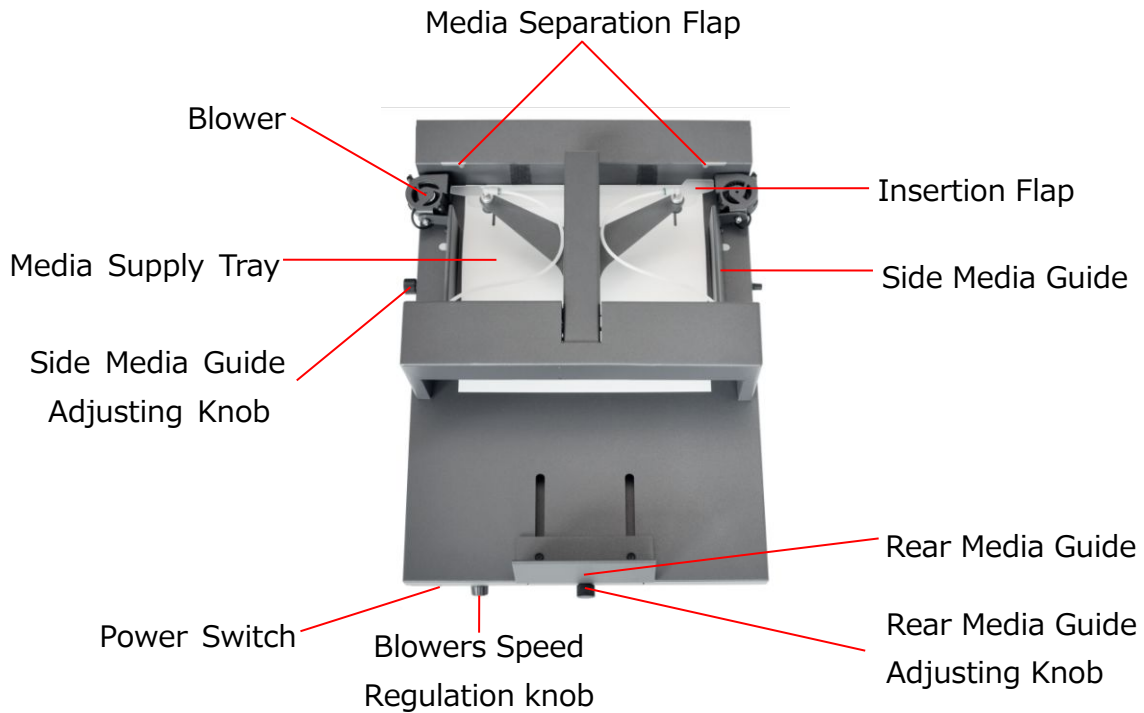
The following accessories are included in F-Mark.

*For stable operation of F-Mark, use the AC power adapter for USB Hub, when use F-Mark.

Item	Image	Q'ty
Camera reading for crop mark		1
Allen wrench (2mm) for camera mounting		1
Suction cup for spare		2
AC power adapter for F-Mark		1
Power cord for AC power adapter (The plug shape varies depending on the region)		1
USB Hub		1
AC power adapter for USB Hub (The plug shape varies depending on the region)		1

Item	Image	Quantity
<p>USB cable 1.0m from USB Hub to Cutting plotter</p>		<p>1</p>
<p>USB cable 1.8m from USB Hub to Computer</p>		<p>1</p>
<p>Adhesive cable crip for camera cable fixing</p>		<p>2</p>
<p>Alignment label For mounting position of F-Mark to CE6000Plus</p>		<p>2</p>
<p>CD-Rom</p>		<p>1</p>
<p>Calibration media</p>		<p>2</p>
<p>Test Cut media</p>		<p>12</p>
<p>Safety quick guide</p>		<p>1</p>
<p>Stopper Plate</p>		<p>1</p>

Names and Functions of F-Mark



Media Separation Flap.....For prevent media double feeding

Blower.....Separate the media by the wind from the blower for prevent media double feeding

Blowers Speed Regulation knob....Adjust the blower speed. When turning the knob clockwise, the rotation speed of blowers increases. When turning the knob counterclockwise, the rotation speed of blowers decreases.
When turning the knob counterclockwise to the end, blowers stops.

Insertion Flap.....It assists the insertion of media when inserting the media to the cutting plotter.

Media Supply Tray.....Storing the media to be cut by cutting plotter.

Side Media Guide.....Adjust the width of media in the Media Supply Tray.

Side Media Guide Adjusting Knob...Adjust the width of Side Media Guide depending on the media width to be used. When adjusting it, make sure that the Side Media Guide lightly touches to side of media.

If width of Side Media Guide is narrow or wider than the width of media to be used may not transport correctly.

Rear Media Guide.....Adjust the rear edge of media in the Media Supply Tray.

Rear Media Guide Adjusting Knob...Adjusting the position of Rear Media Guide depending on the media size to be used. When adjusting it, make sure that the tip of media lightly press to the front of inside of Media Supply Tray.

Power Switch.....Turn the F-Mark on and off. When the F-Mark turn on, the F-Mark starts initial operation.

Side view



Suction Cups

Vacuum Adjusting Knob

Suction Cups.....Pick up media by Suction Cups when inserting the media to the cutting plotter.

Vacuum Adjusting Knob.....Adjust the vacuum force to pick up media. When turning the knob clockwise, the vacuum force increasing. When turning the knob counterclockwise, the vacuum force decreasing.Adjust the vacuum force depending on the using media.

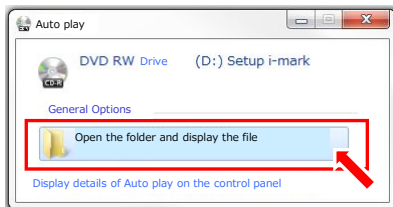
Install iMark software

Please check before installing iMark software

- When there is virus detection programs and the programs that reside in the system, please exit in advance.
- To install the software, log in Windows as a member of the administrator account that has administration rights on the computer.

The procedure to install the iMark software in Windows 7 (32bit) environment is described.

1

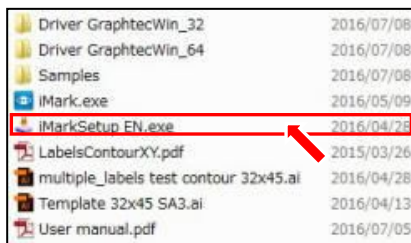


Insert the iMark software CD in to the CD drive of the computer

Automatic CD play will be displayed.

Click the "Open folder and display the file".

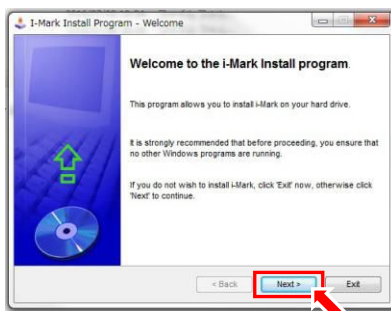
2



The files in the CD are displayed

Select the "iMarkSetup EN.exe", and double click it.

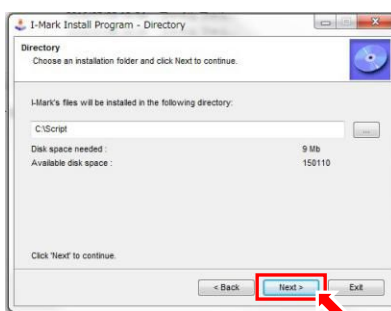
3



"Welcome to the i-Mark install program" displayed.

Click "Next >"

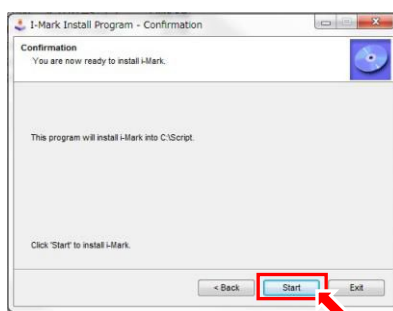
4



Directory selection window for installing the iMark software is displayed/

Click "Next >"

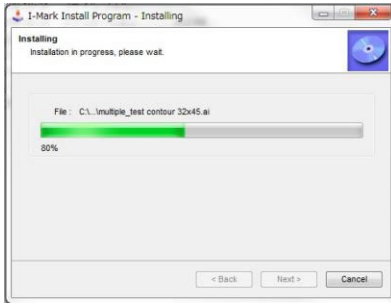
5



Confirmation window of the directory to install the iMark software is displayed.

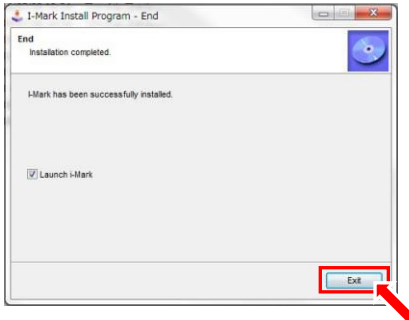
Click "Start"

6



iMark software installation is started.

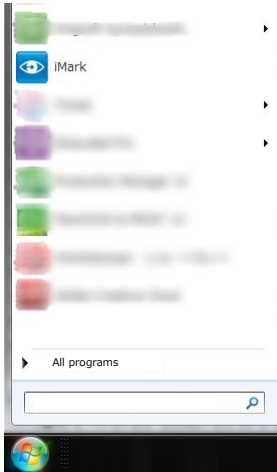
7



Installation completed window is displayed.

Click "Exit", and complete the installation.

8



After completing the iMark software installation, the iMark icon will be displayed in the start menu of Windows

NOTICE

iMark software will not start, when F-Mark does not connected to the computer.

How to attach the USB Hub to F-Mark

Attach the USB Hub to the bottom of F-Mark as following procedure.

1



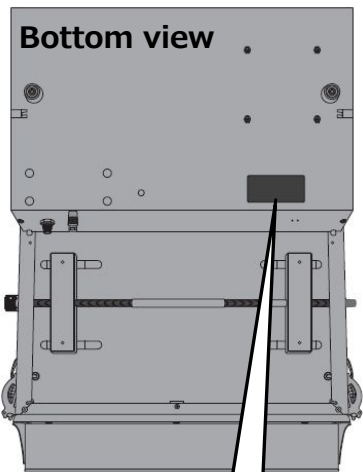
Take out the USB Hub from the accessories box.

2



Peel the velcro tape from the USB Hub.

3



Bottom view

Peel the adhesive tape from the velcro tape.
And attach the velcro tape to the bottom of F-Mark as shown in the left picture.
And attach the USB Hub to the velcro tape.



Cable connection

Connect the USB cable and AC power cables as shown in picture below.
After cables connection, confirm that there is no add load to the cables.

Power cable from AC power
adapter for USB Hub

USB cable to the computer

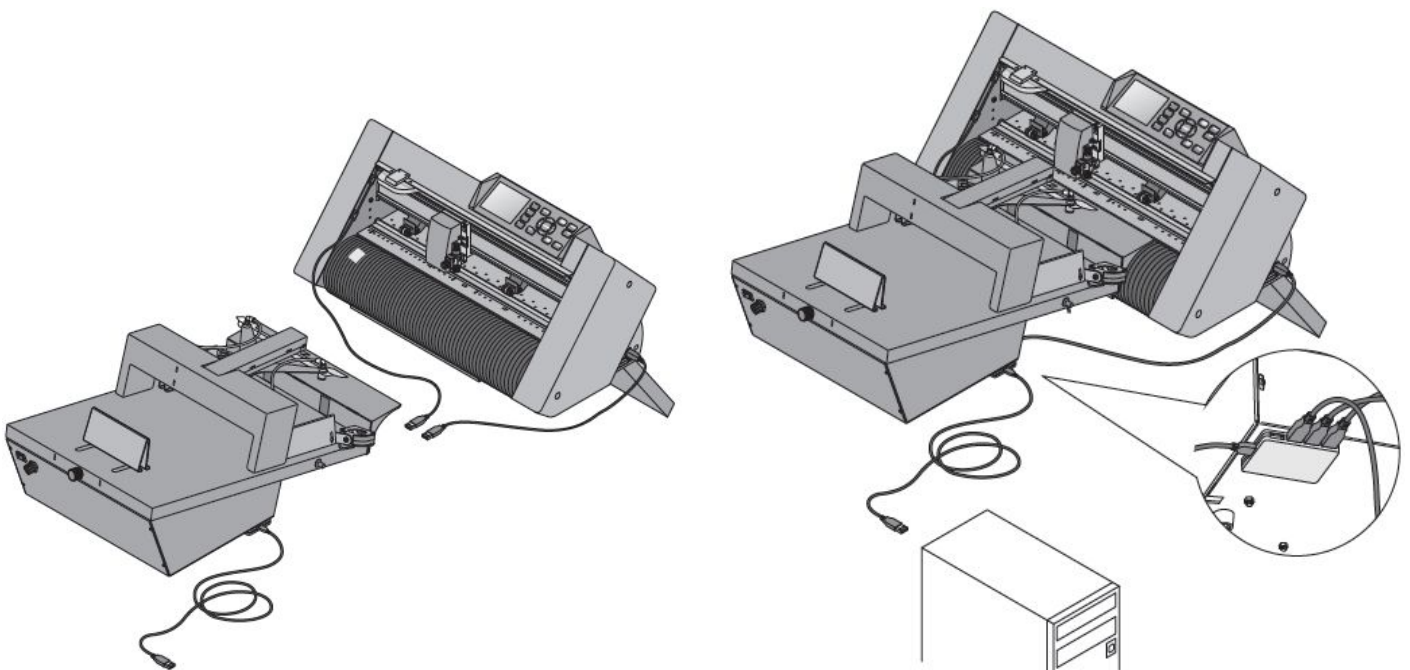
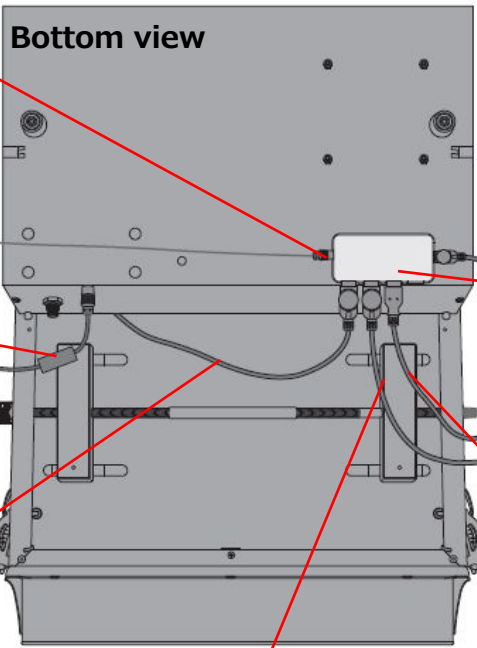
Power cable from
AC power adapter
for F-Mark

USB Hub

USB cable from the inside of
F-Mark

USB cable to the cutting plotter

USB cable to the camera



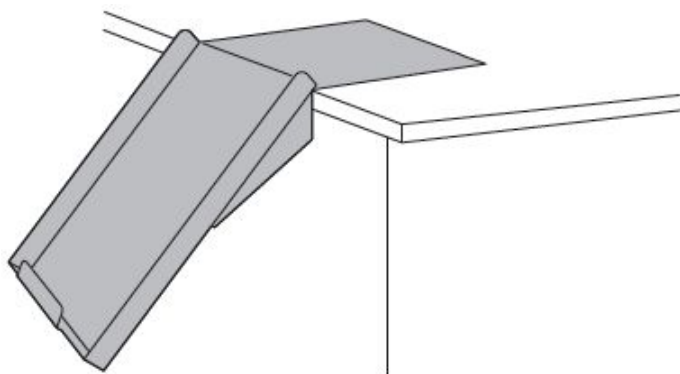
How to install the F-Mark

1




Peel the adhesive tape on the back of the Exit tray.

2

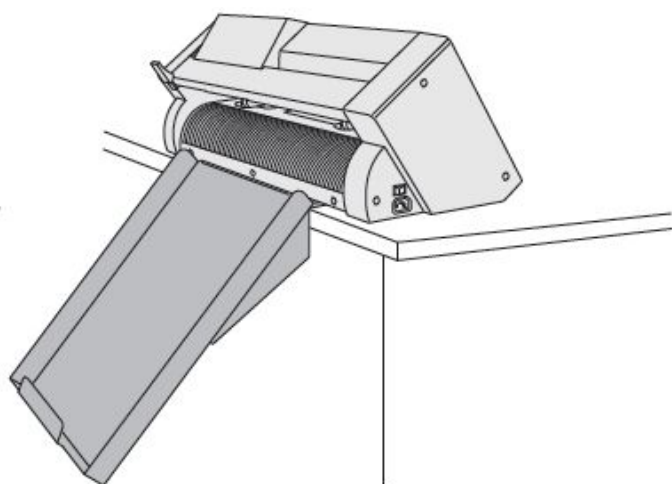


Press it firmly on the tabletop

 **CAUTION**

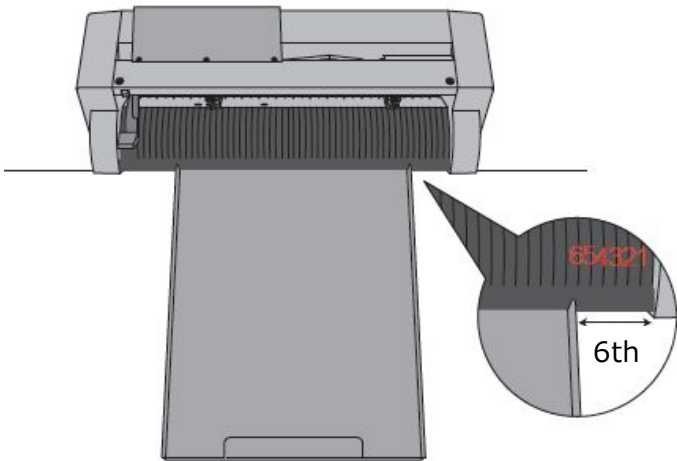
The adhesive tape fix the Exit tray for a short time, it may drop if you do not place the CE6000Plus.

3



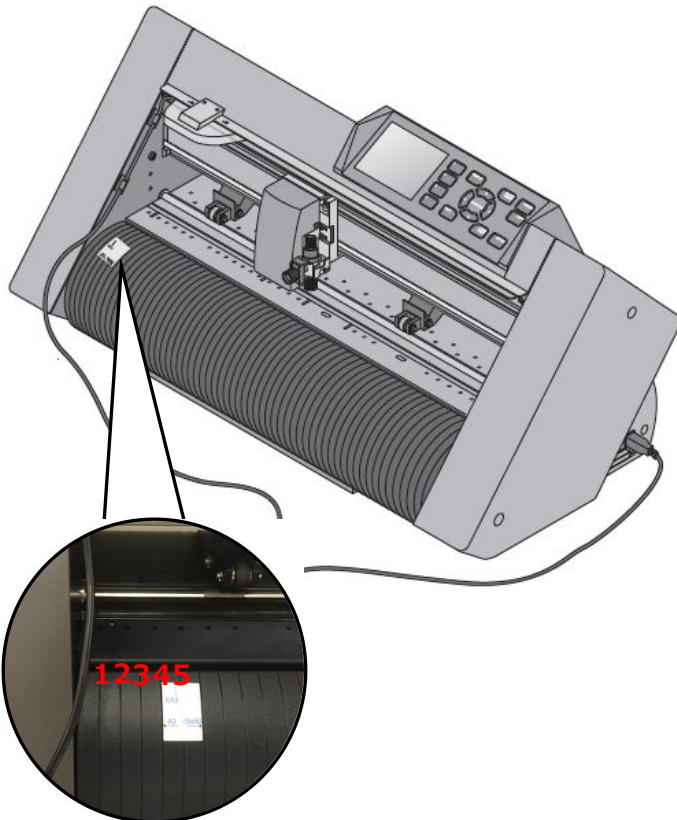
Put the CE6000Plus on top of the Exit tray.

4



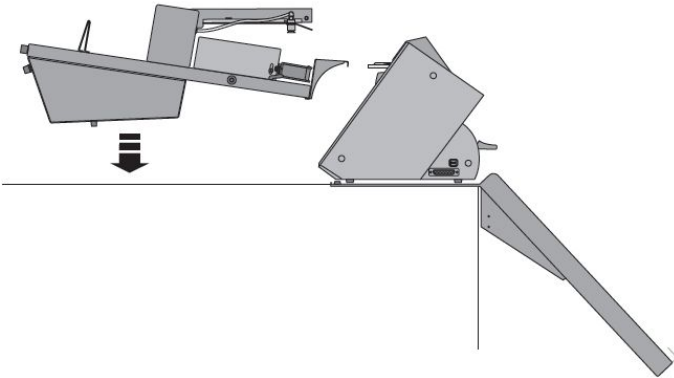
To allow the media drop centrally on the Exit tray, place the CE6000Plus in order to align the line 6 of CE6000Plus rear guide with the right edge of the Exit tray as shown in left picture.

5

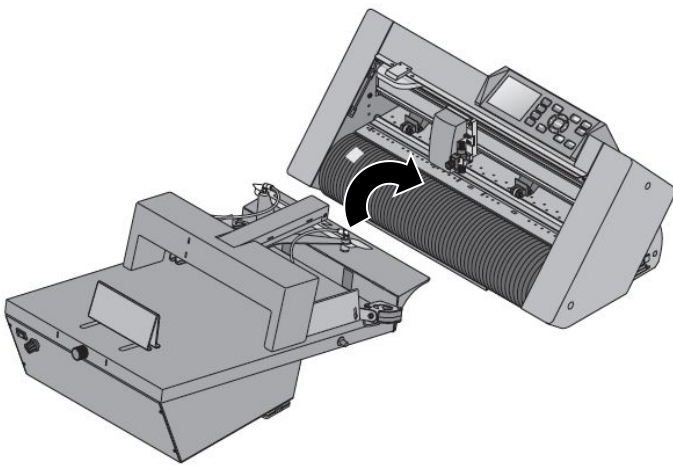


Fit the center of Alignment label with the 5th line of front guide of CE6000Plus as shown in left picture, and attach it.

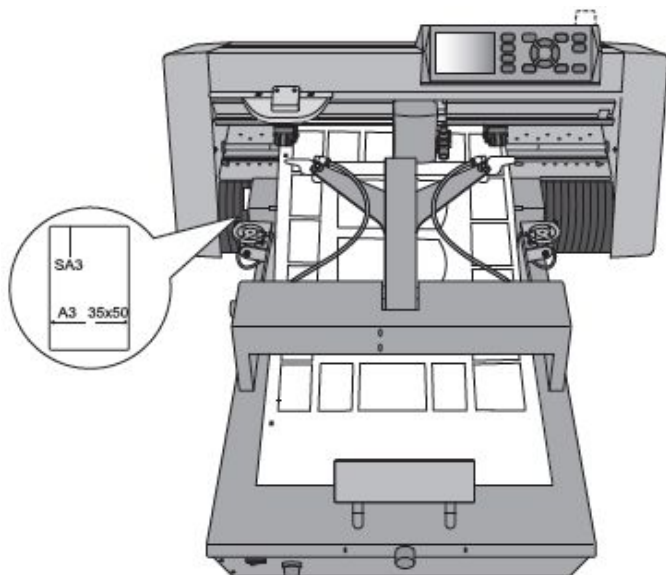
6



Connect the F-Mark to the CE6000Plus as shown in left picture.

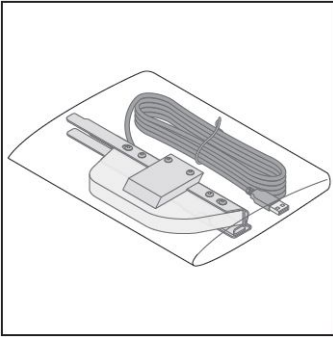


7

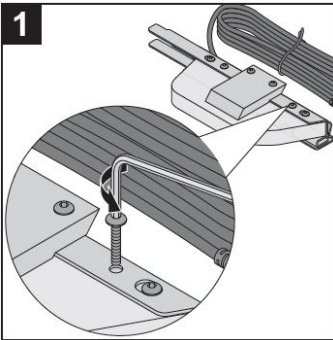


After the F-Mark connection, adjust the F-Mark position along the Alignment label.

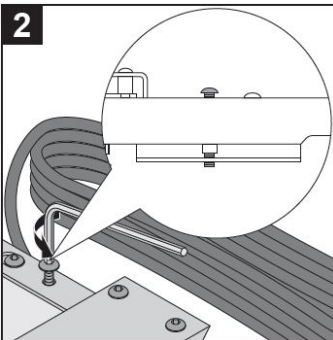
How to attach the camera to the CE6000Plus



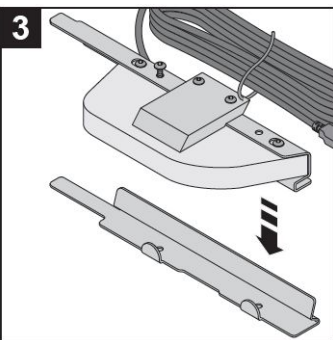
Attach the camera to the CE6000Plus as following procedure.
Take out the camera from the accessories box.



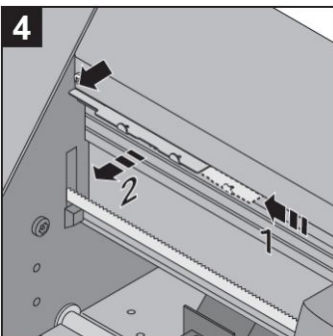
Detach the right side screw from the camera as show in left picture.



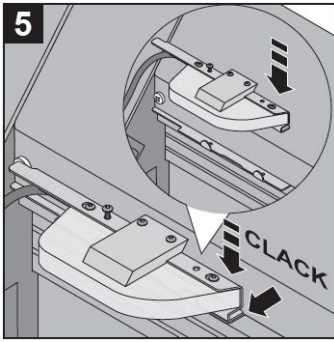
Release the left side screw until the lower bracket is released, leave the left screw in place there is a plastic ring that hold it.



Separate the camera from the bracket.

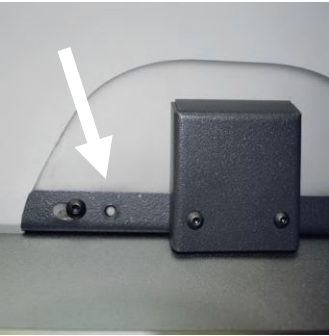


Attach the bracket on the left side of the CE6000Plus as shown in left picture, push it all at left as the arrow 1 and then pull in the direction of arrow 2.

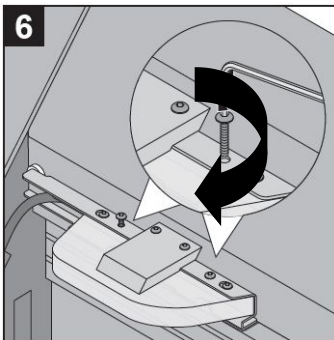


Align the camera with the bracket, it is can use the hole where the screw has been detached of the alignment.

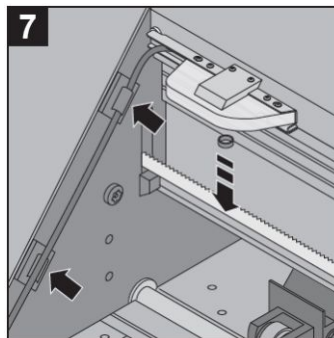
And press firmly until the metal parts are in contact.



If insert a white sheet on the CE6000Plus it may help to see through hole.



Fix the two screws tight.

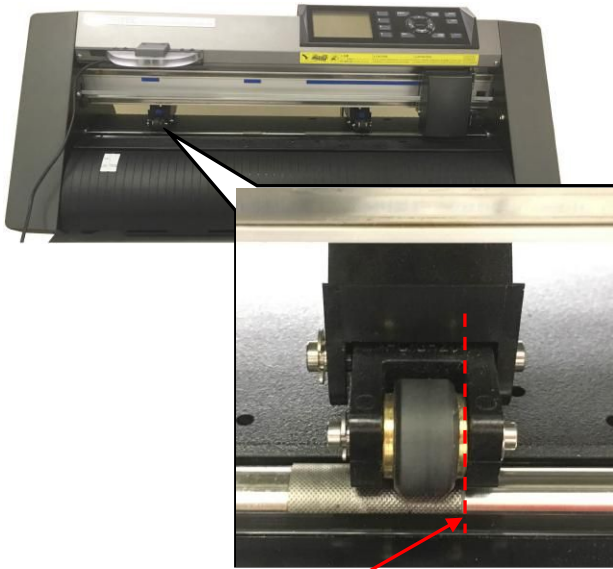


Add the adhesive cable crips on the left internal side of the CE6000Plus, fix the camera cable on the clip.

Remove the plastic cap from the camera lens.

Setting of CE6000Plus

1 Setting of left side Push Roller of CE6000Plus



Right edge of Push Roller is align to the right edge of the Grid Roller.

Set the position of left side Push Roller on the leftmost Grid Roller as shown in the left picture. Adjust the position of left side Push Roller so that the brass part on the right side of Push Roller is align to the right edge of Grid Roller as shown in left picture.

NOTICE

- This position is reference position of left side Push Roller.
- Do not move the left side Push Roller,when move it, the F-Mark will not operate properly.
- Change the position of right side Push Roller depending on width of using media.

2 Initial setting of CE6000Plus



Turn on the CE6000Plus, and select the language and unit displayed on the CE6000Plus.

NOTICE

- This setting is only performed when the initial startup of CE6000Plus.
- Displayed units of CE6000Plus and operating units of iMark software are not linked.

Initial setting on CE6000Plus for F-Mark

Before setting the CE6000Plus for F-Mark, confirm that the following things are set.

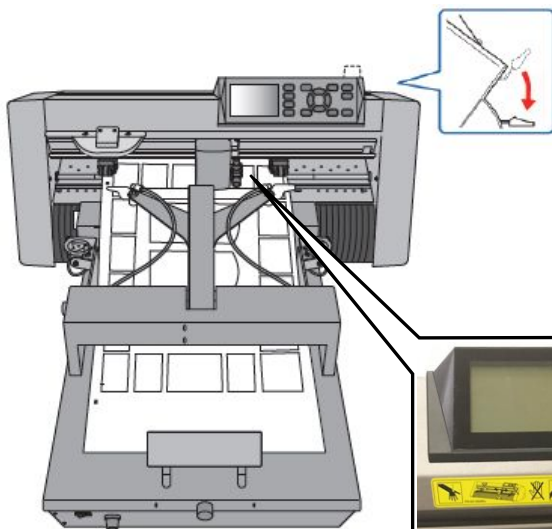
- The iMark software is installed in the operation computer.
- The F-Mark is connected to operation computer.
- The CE6000Plus is turned on.
- The firmware version of CE6000Plus(CE6000) is installed correct firmware version.

Supported Firmware version

CE6000Plus :Version 1.10 or later

CE6000 :Version 2.50 or later

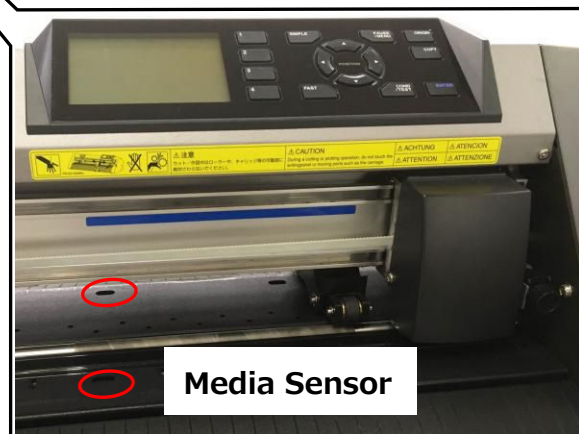
1



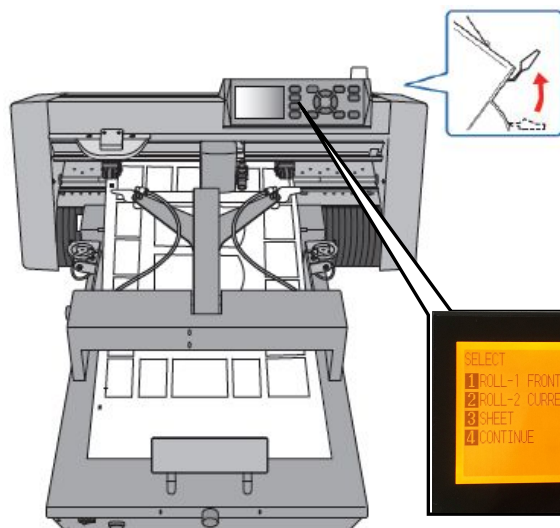
Lower the Set Lever of CE6000Plus, and load the media into the CE6000Plus.

CAUTION

When load the media into the CE6000Plus, load the media so that the it covers the Front and Rear Media Sensor by media.



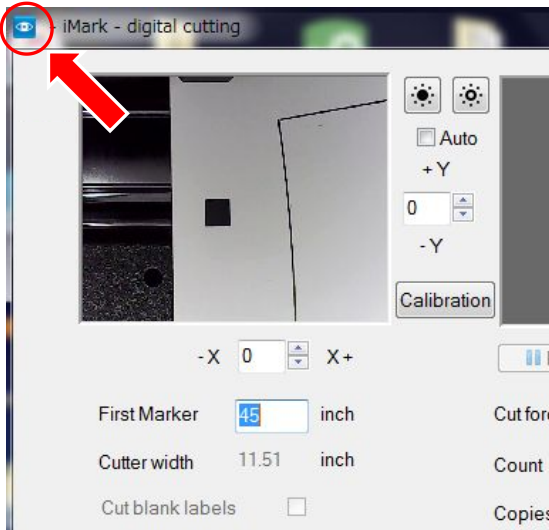
2



Rise the Set Lever of CE6000Plus, and press the "2" button on the control panel of CE6000Plus. After that, 'READY' is displayed on control panel of CE6000Plus.

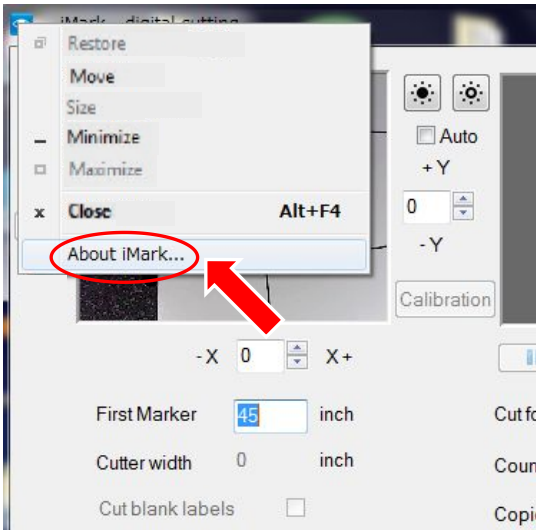


3



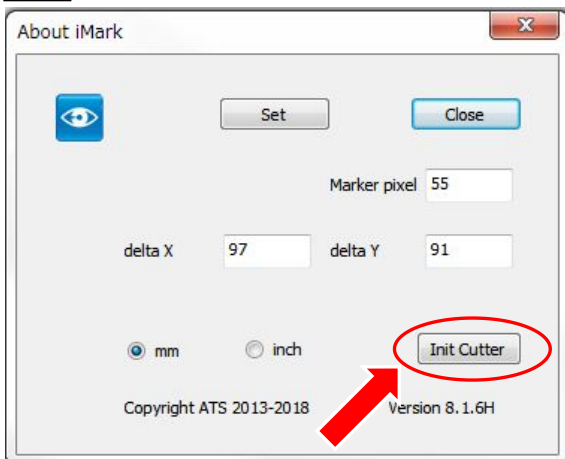
Perform the initial setting on CE6000Plus for F-Mark.
 Confirm the CE6000Plus is in "REDAY" mode.
 Run the iMark software on the operation computer.
 And click the 'iMark icon' on the upper left in the iMark software screen.

4



Pull down menu is displayed, and click the 'About iMark...' to open the 'About iMark' window.

5



'About iMark' window is displayed, and click the 'Init Cutter'.

When the initial setting on CE6000Plus for F-Mark is Completed correctly, the displayed on control panel of CE6000Plus changes from '1:Condition No.1' to '1:Label Media'.

NOTICE

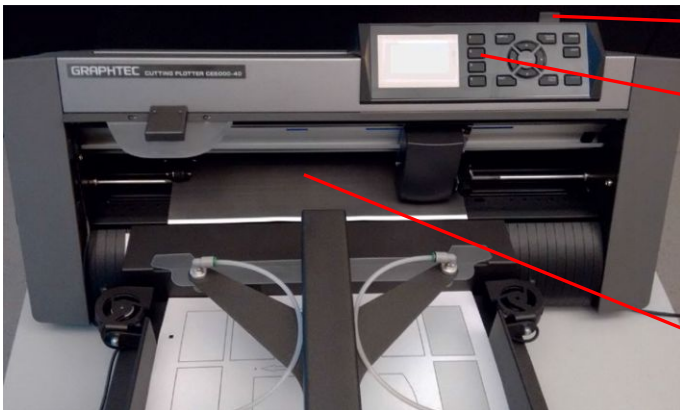
- This procedure needs to perform when connecting the computer to the F-Mark.
- This procedure needs to perform when changing the operation PC.
- This procedure needs to perform when the USB connection was disconnected.

Calibration of the F-Mark

Perform the calibration of the F-Mark for correctly read the crop mark.

If disconnect the F-Mark from the CE6000Plus or change the operation computer, perform the calibration of the F-Mark from the 'Calibration' button in the iMark software.

- 1 Lower the "Set Lever" of CE6000Plus, and load the "Calibration Sheet" into the CE6000Plus. Then rise the "Set Lever" of CE6000Plus, and press the "2" button on the control panel of CE6000Plus.



Set Lever of CE6000Plus

"2" button on the control panel

When load the calibration sheet into the CE6000Plus, load the calibration sheet at the center of left and right Push Roller of CE6000Plus

If the tip of calibration sheet is aligned with the tip of F-Mark, the calibration sheet can be load the straight into the CE6000Plus.

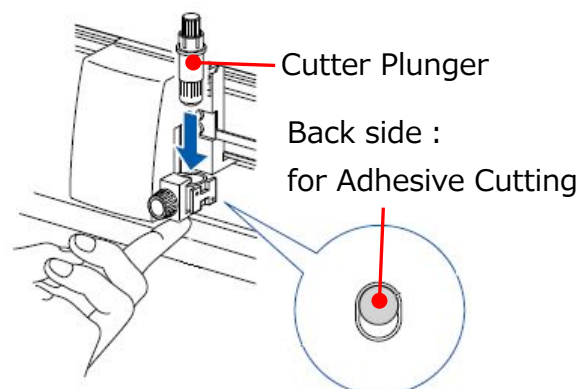
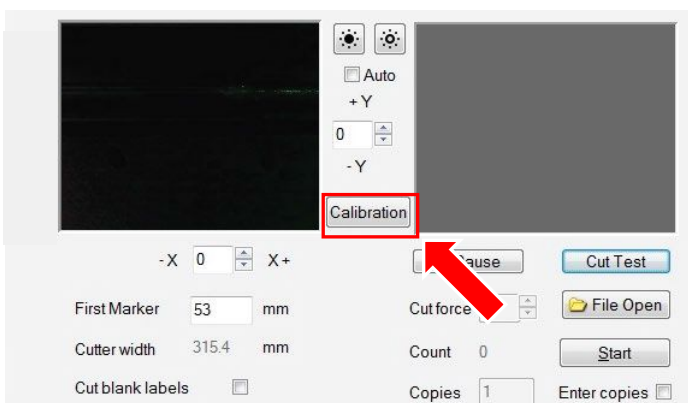
NOTICE

If finished using the accessory calibration sheet, the print data file "calibblack.pdf" for calibration sheet is included in the accessory CD. Print this data to the label media for using the calibration of the F-Mark.

- 2 Set the Cutter Plunger to the CE6000Plus, and press the "Calibration" button in the iMark software.

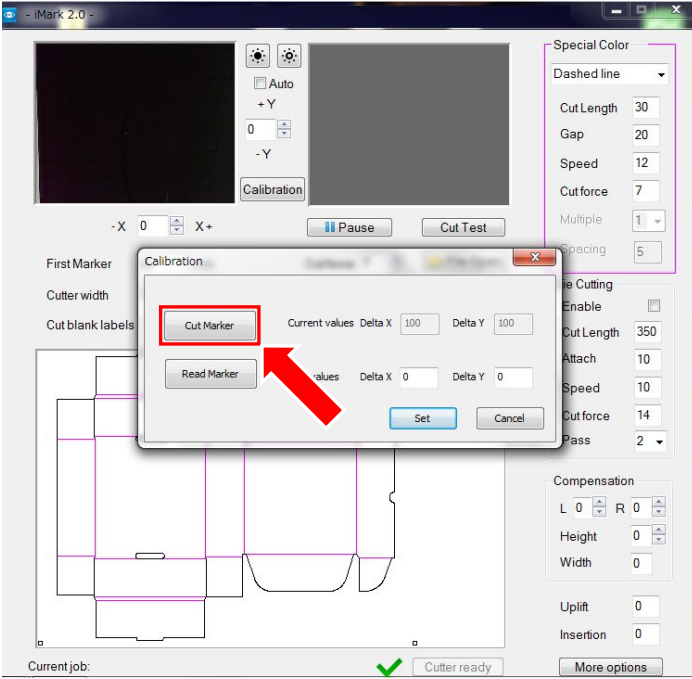
NOTICE

- For the how to set the Cutter Plunger to the Cutting Plotter CE6000 Plus and how to adjust the blade length of Cutter Plunger, refer to the User's manual of CE6000Plus.
- When perform the calibration of the F-Mark, attach the Cutter Plunger to the back side position (for Adhesive Cutting).



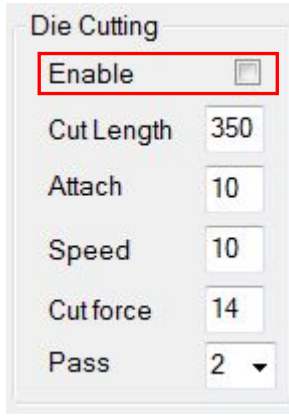
3

Press the "Cut Marker" button in the iMark software.
Then Cutting Plotter cuts small square for the calibration.



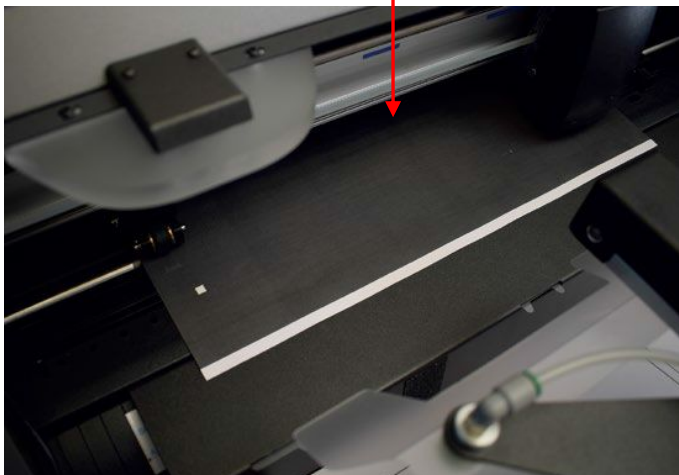
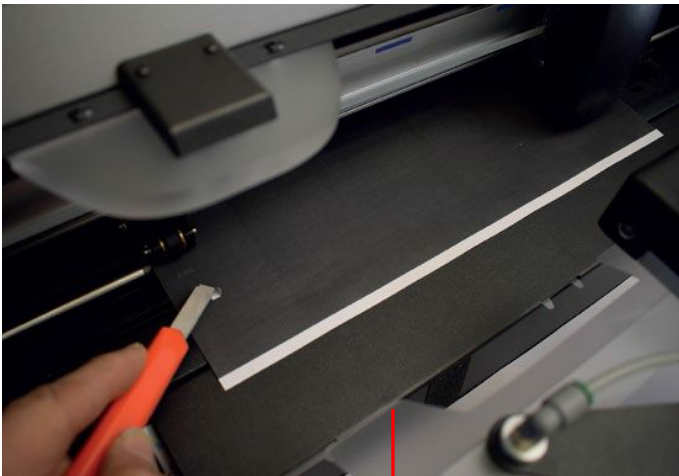
NOTICE

Make sure that the "Enable" in the "Die Cutting" is not checked when performing the calibration.



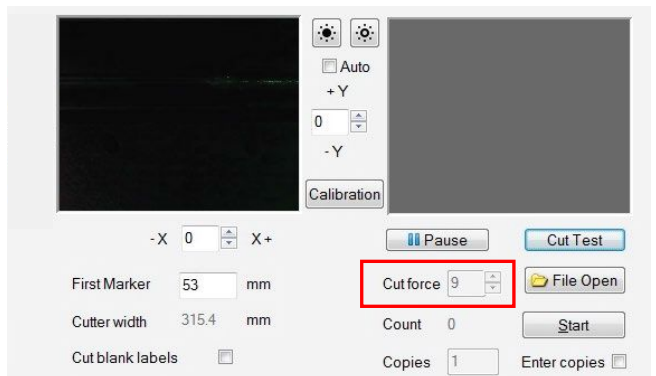
4

Peel off the small square cut by CE6000Plus from the calibration sheet so that the white square can be seen.



NOTICE

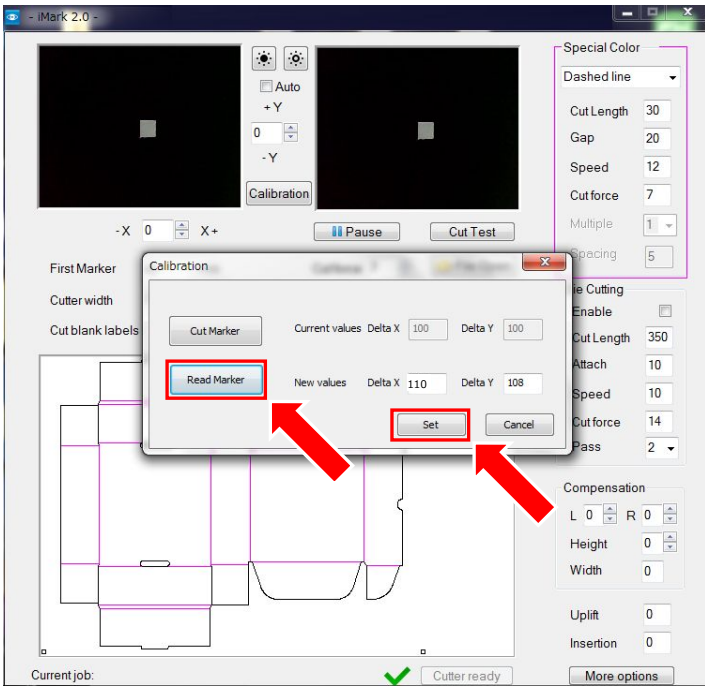
If the cut square can not be peeled off well from the calibration sheet or if the cut square cut out from the calibration sheet, please adjust the "Cut force" in the iMark software,



or adjust the blade length of Cutter Plunger.

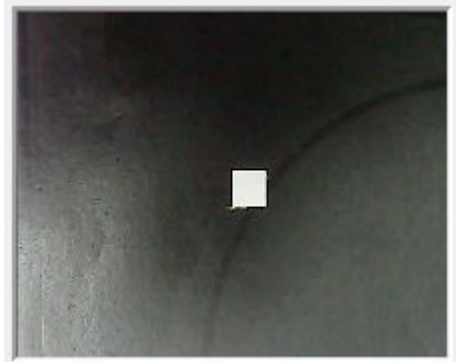
*For the how to adjust the blade length of Cutter Plunger, refer to the User's manual of CE6000Plus.

5 Press the "Read Marker" button in the iMark software, then the iMark software read the calibration data. And press the "Set" button in the software, then the iMark software saved calibration data.



NOTICE

If "Read Marker" is performed while the calibration sheet is reflecting by the lighting in the room, the correct calibration may not be performed, in this case, please shade the camera part and then perform "Read Marker".

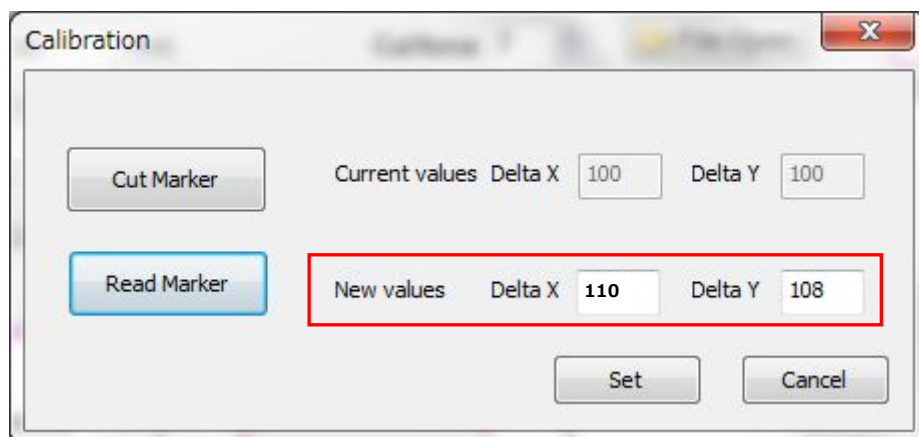


NOTICE

When correct calibration is performed, the value of *90 to 120 is displayed in the "New values Delta X" and the value of *95 to 135 is displayed in the "New values Delta Y".

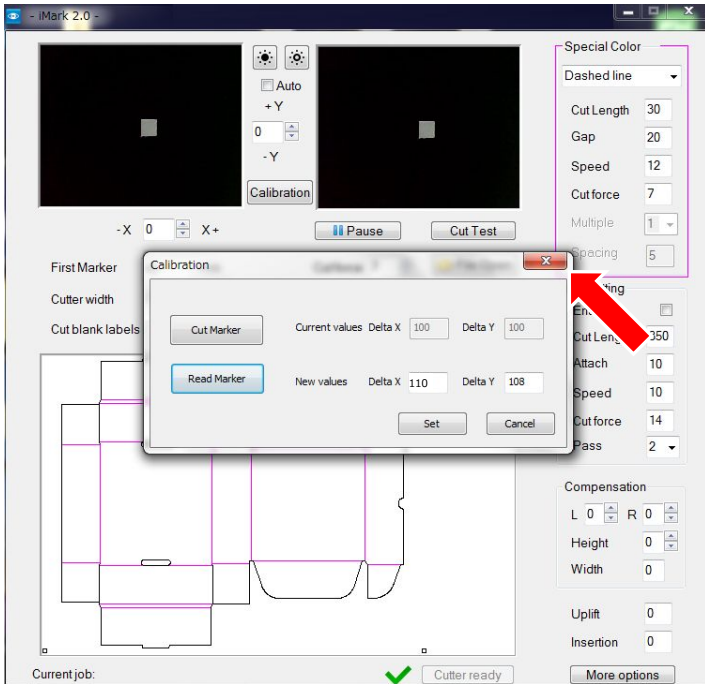
(*The values are ideal values, there are varies depending on the equipment.)

If values for Delta X and Delta Y are much different than the above ideal values, the calibration was not performed correctly. Please calibration again.



6

Press the “X” button on the upper left on the Calibration window to close it, and remove the calibration sheet from the cutting plotter and finish the calibration.



7

After calibration is finished, perform the “Test Cut” to check the calibration of the F-Mark is correctly.

NOTICE

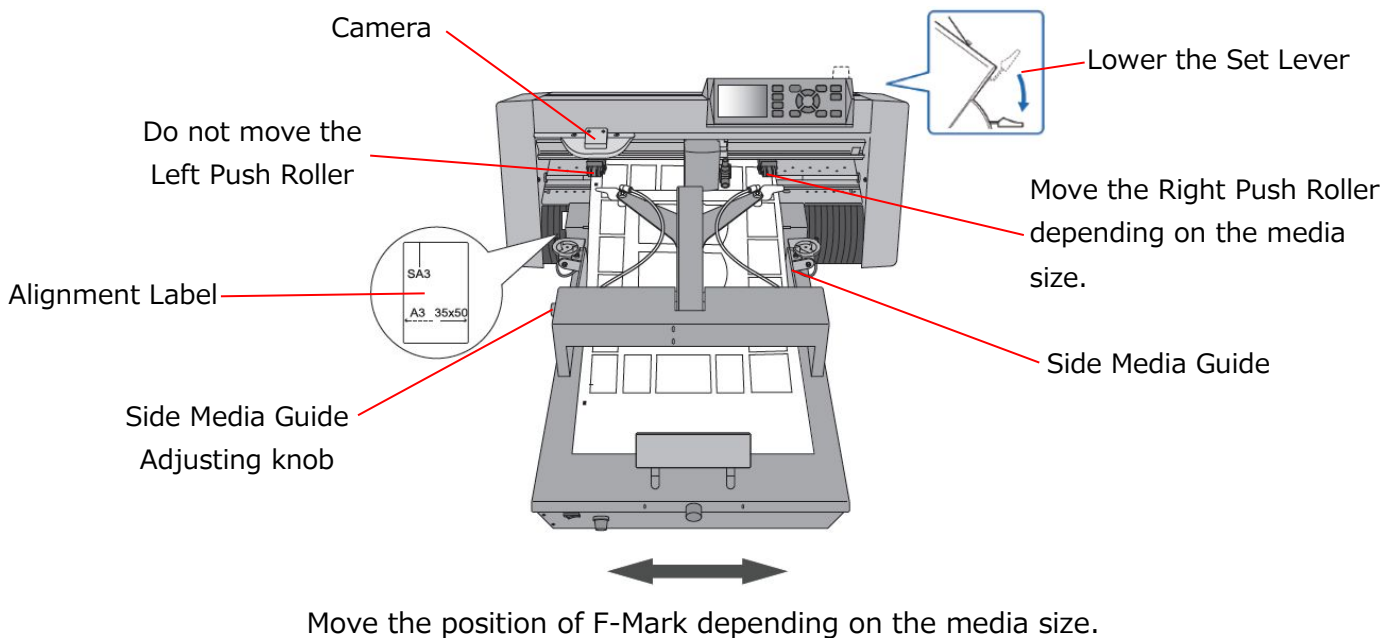
- The calibration data is saved in the operation computer.
- When change the operation computer, needs calibration with changed computer.
- When USB cable connection was disconnected, needs calibration again.
- When performed calibration under the strong lighting such as spotlight, calibration may not be performed correctly.

How to adjust the position of F-Mark and Push Roller

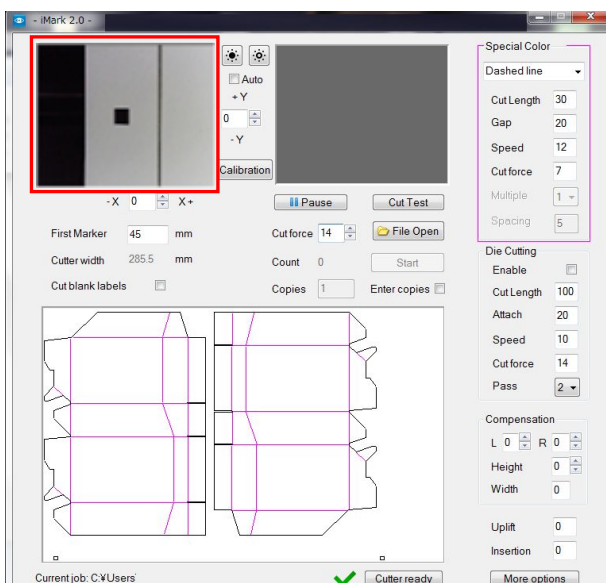
The F-Mark and CE6000Plus needs adjust the settings depending on the media to be used.

When change the media size to be used, follow the procedure below.

1. Adjust the width of Side Media Guide fit to the width of media to be used.
(When adjust the Side Media Guide, adjust it so that the Side Media Guide lightly touches to the side of media to be used.)
2. Lower the Set Lever of CE6000Plus.
3. Move the F-Mark aligned with the Alignment Label.
4. Load the media into the CE6000Plus so that the printed crop mark is under the camera.
5. Make sure the crop mark position in the preview window in the iMark software.
6. Adjust the position of F-Mark so that the crop mark is displayed at the center of preview window in the iMark software.
7. Move the Right Push Roller of CE6000Plus so that the inside 5mm or more from the edge of media to be used. (Do not move the Left Push Roller of CE6000Plus.)



Move the position of F-Mark depending on the media size.



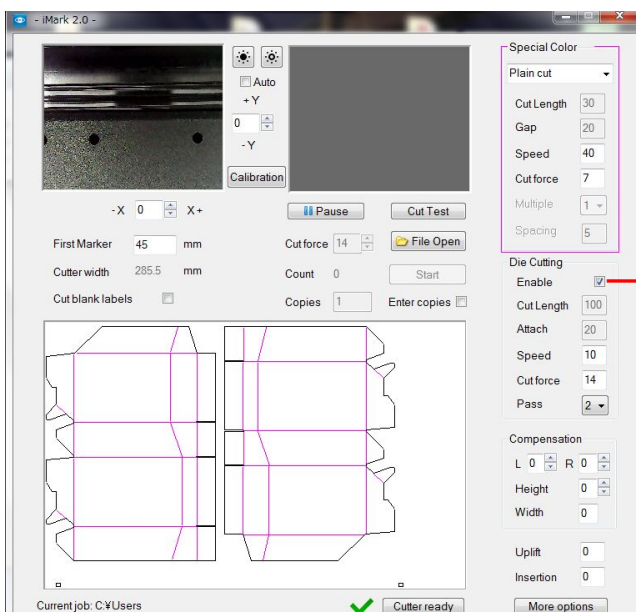
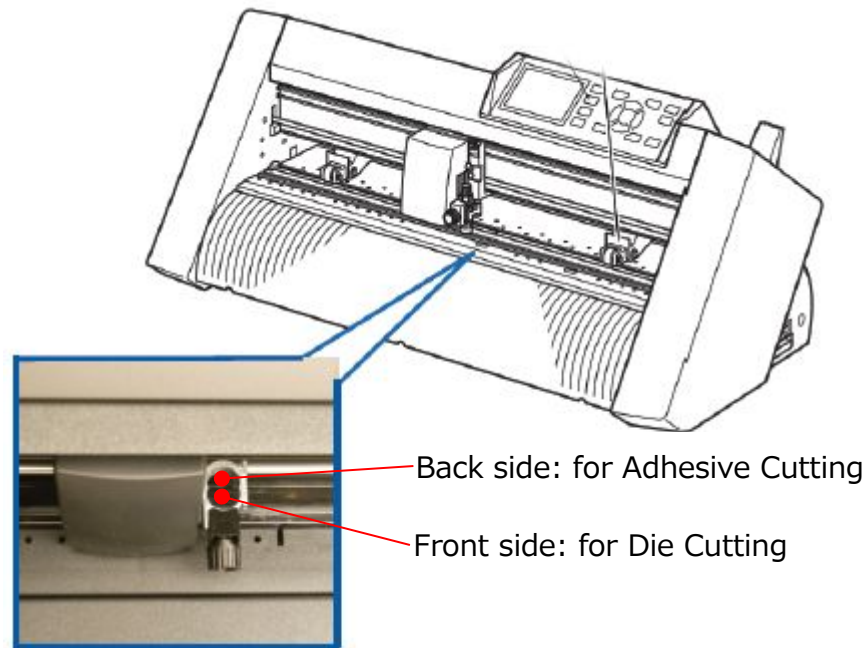
The iMark software has two preview windows. When adjust the crop mark position, check in the preview window of left side in the iMark software.

Cutter Plunger attaching position of the CE6000Plus

The CE6000Plus has two Cutter Plunger attachment position as front side and back side. The front side of Cutter Plunger attachment position is for the “Die Cutting”. The back side of Cutter Plunger attachment position is for the “Adhesive Cutting”. When perform the calibration of the F-Mark, attach the Cutter Plunger to the back position.

NOTICE

For the how to set the Cutter Plunger to the CE6000Plus and how to adjust the blade length of Cutter Plunger, refer to the User’s manual of CE6000Plus.



When perform the “Die Cutting”, attach the Cutter Plunger to the front position of CE6000Plus, and check the “Enable” of “Die Cutting” in the iMark software.

Test Cut

When changing the media size, media type, cut design, perform the "Cut Test" in the iMark software. Especially, perform the "Cut Test" in the following cases.

- When installing F-Mark.
- When changing parameters or inputting parameter values in iMark software.

***When changing the input values and parameter values in iMark software, the changed values become validate after perform the "Cut Test" in iMark software.**

Load the F-Mark accessory "Test Cut media" into the Media Supply Tray on the F-Mark.

Referring the "**How to adjust the position of F-Mark and Push Roller**", align the width of Side Media Guide and position of Rear Media Guide of the F-Mark with "Test Cut media", and align the position of right Push Roller with "Test Cut media".

1. Move the left edge of F-Mark to the line of SA3 in the Alignment Label which attaches to the CE6000Plus.

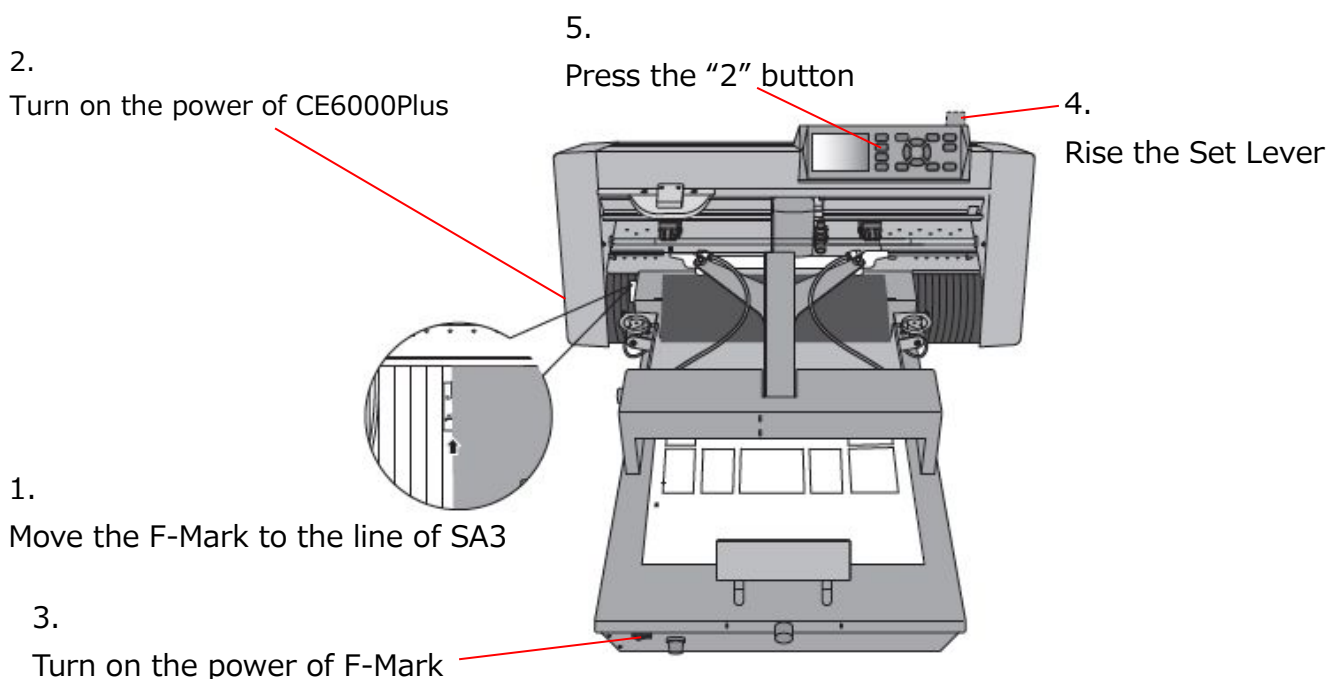
2. Turn on the power of CE6000Plus.

3. Turn on the power of F-Mark.

4. Rise the Set Lever of CE6000Plus.

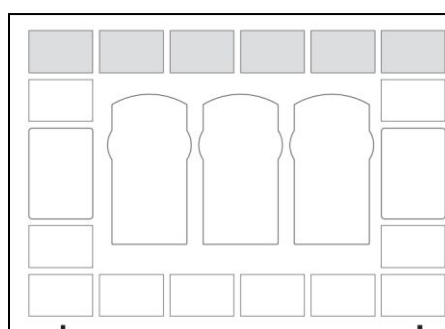
5. Press the "2" button on the control panel of CE6000Plus.

(When CE6000Plus setting is correctly, the Tool carriage moves left and right and stops near the right Push Roller.)



When turn on the power of F-Mark, the F-Mark starts the initial movement to move the arm. When the F-Mark power is on, the green lamp lights on the switch button.

Test Cut media



6. Click the "File Open" button in the iMark software.

7. Open the "multiple_label_test_contour".ai file.

(This file is included in the accessory CD, copy the file to operate computer in advance.)

8. When F-Mark is connected properly, the green check mark and "Cutter ready" is displayed in the bottom of iMark software window.

(If F-Mark is not connected properly, perform the "Initial setting on CE6000Plus for F-Mark".)

9. Input the 53 to the "First Marker" in the iMark software.

10. Confirm the Cutter Plunger on the CE6000Plus, and click the "Cut Test" in the iMark software to perform the test cut.

When test cut is started, the arm of F-Mark pick up the media, and insert the media to the CE6000Plus, and then the camera detects crop mark, and starts the cutting.

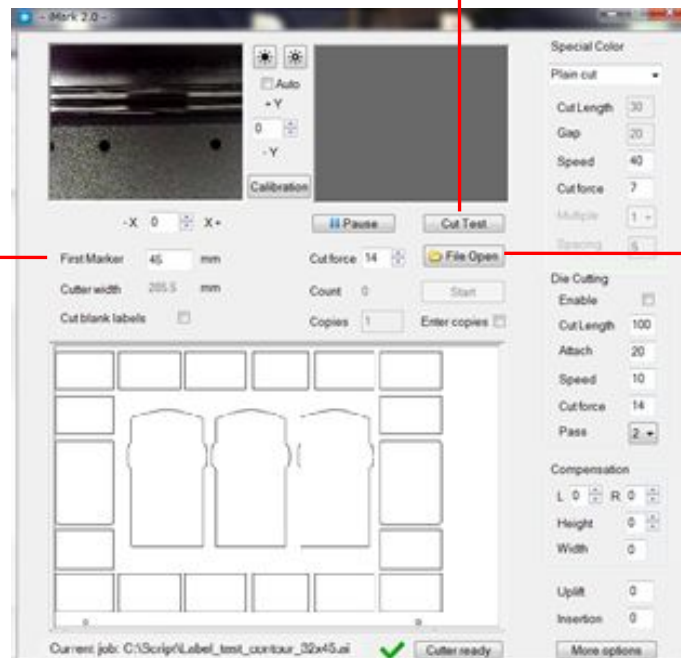
When cutting is finished, confirm that the cutting position and printing position are matched.

If cutting position and printing position are not matched, refer to the "Adjustment of cutting position" and adjust the cutting position.

10.

Click the "Cut Test" button to perform the test cut

9.
Input the 53 to
'First Marker'

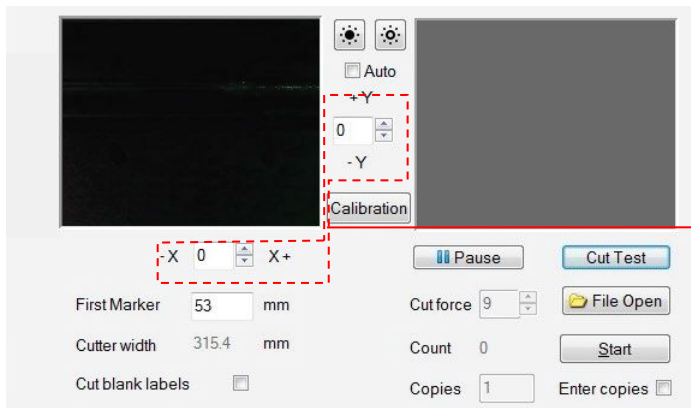


6.
Click the "File Open"
button to open the
multiple_label_test_
Contour_32x45.ai
file.

7.
multiple_label_test_contour_32x45.ai is
displayed on "Current job".

8.
The green check mark and "Cutter ready" is
displayed.

Adjustment of cutting position



The **Y** adjustment next to the preview window allows set the vertical direction of cutting position. Increasing the Y move the cutting position upwards. Decreasing the Y move the cutting position downwards.

The **X** adjustment allows set the the horizontal direction of cutting position.

Increasing the X move the cutting position rightwards.

Decreasing the X move the cutting position Leftward.

The input unit is tenth of one mm

E.g. Inputted value is 10=1mm

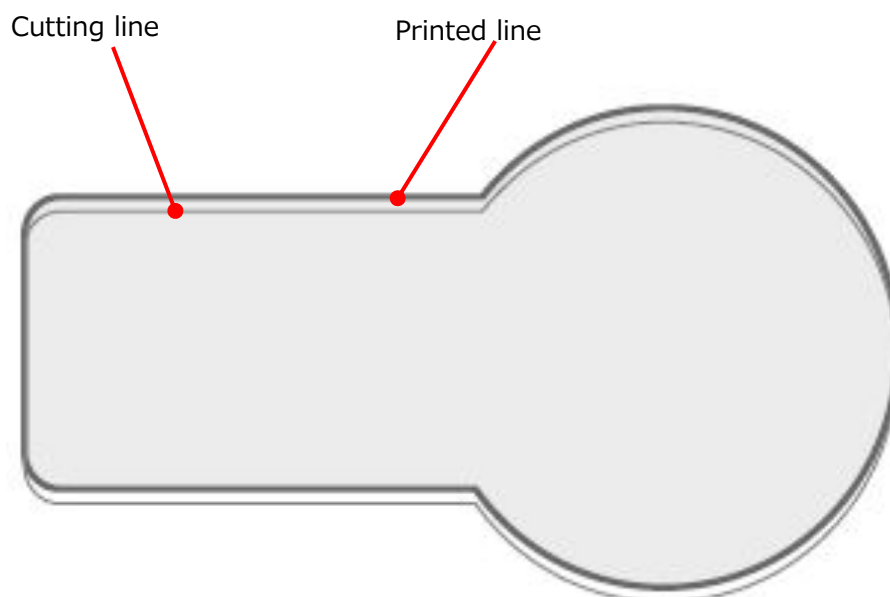
The adjustment is necessary the first time install the F-Mark, and when changing the media size, media type, cut design, and disconnect the F-Mark from the CE6000, and disconnect the iMark software. When click the "Start" button, the inputted values for X adjustment and Y adjustment becomes "0" after saving the inputted values.

Although the values of X adjustment and Y adjustment can be input during the cutting, the inputted values becomes valid from next sheet.

E.g. If the result of cutting is 0.5 mm below the printed image as shown below, input the 5 to Y adjustment and move the cutting position 0.5mm above.

NOTICE

Depending on the media types and performance of equipment, the adjustment values X and Y may not be 1=0.1mm, adjust the adjustment values of X and Y depending on the cutting result.

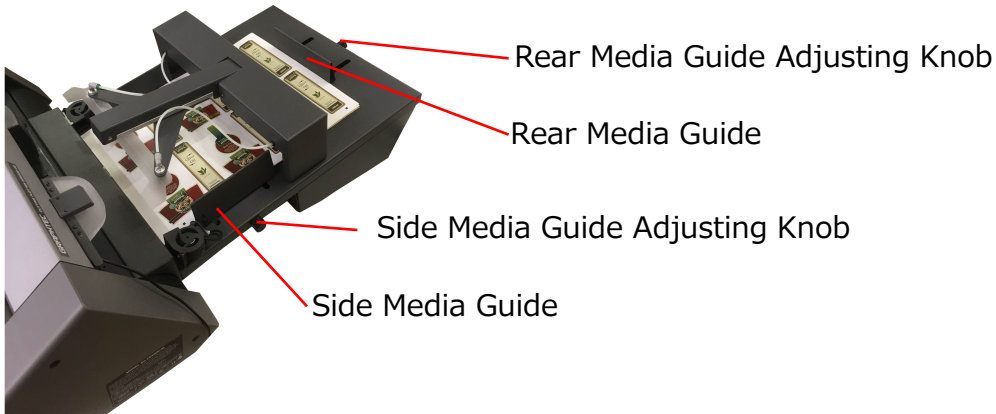


How to load the media into the F-Mark

When loading the media into the F-Mark, follow the procedure below.

1 Adjust the width of Side Media Guide depending on the media width to be used.
(When adjusting it, make sure that the Side Media Guide lightly touches to the side of media to be used.)

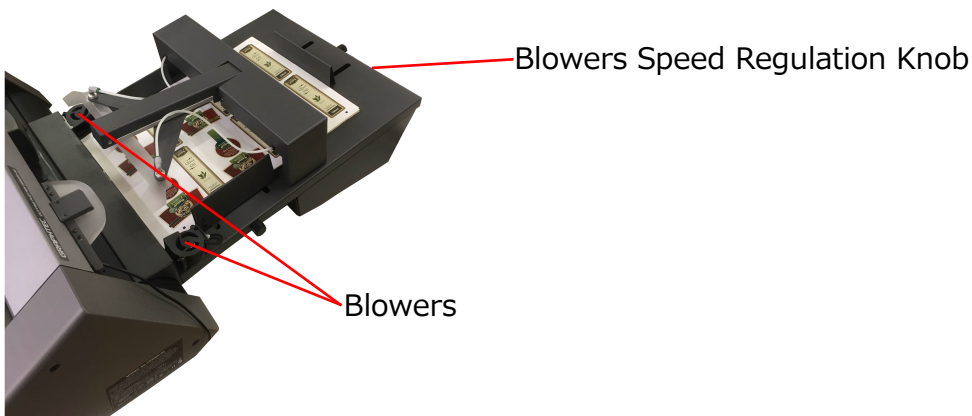
2 Loading the media into the "Media Supply tray", and adjust the position of "Rear Media Guide".
(When adjusting the position of Rear Media Guide, make sure that the front edge of media lightly pressed to the front of inside Media Supply Tray.)



3 Push the front edge of media into the Media Supply Tray.



4 When using Blowers, adjust the blower speed and width of Side Media Guide so that the media slightly rises.



5 From the control panel of CE6000Plus press the "2" button to load the media.

How to use the Stopper Plate

If there is a problem that the media which is under cutting interferes with the media in the Exit Tray, attaching the "Stopper Plate" to the "Exit Tray" may solve this problem.



Stopper Plate can be attached to any position on the Exit Tray because the back of the Stopper Plate is magnetized.



Attaching position of Stopper Plate

When attaching the Stopper Plate to the Exit tray, adjust the attachment position of the Stopper Plate depending on the media size to be used.

Adjust the position of the Stopper Plate so that the front edge of the media becomes the top of the Exit Tray.



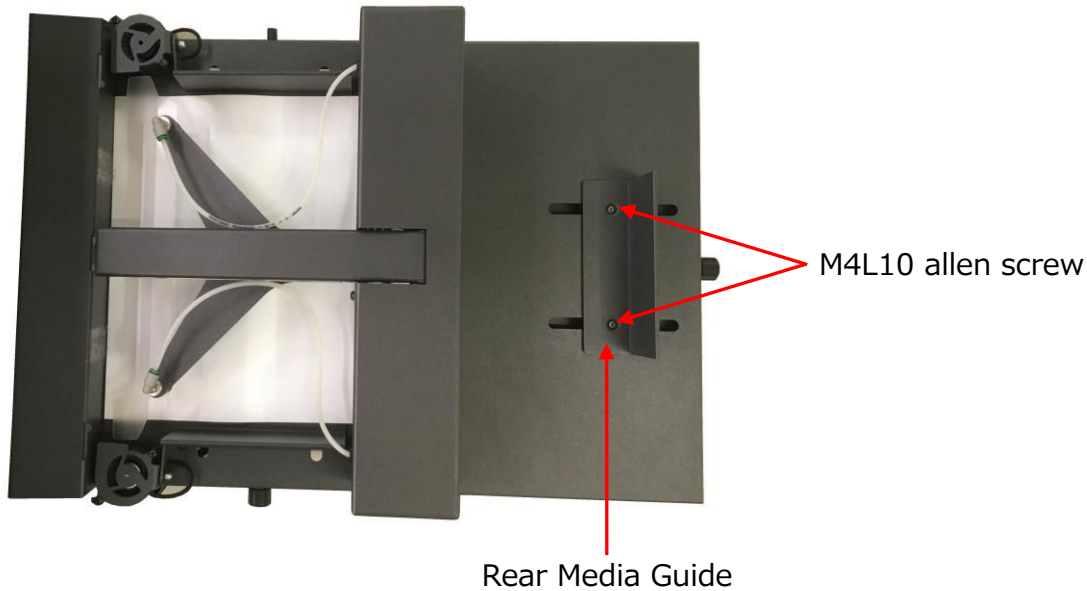
How to attach the Extension Plate (It is sold separately)

When "Extension Plate" attached to the F-Mark the media of length 500mm to 700mm can be load into the F-Mark.

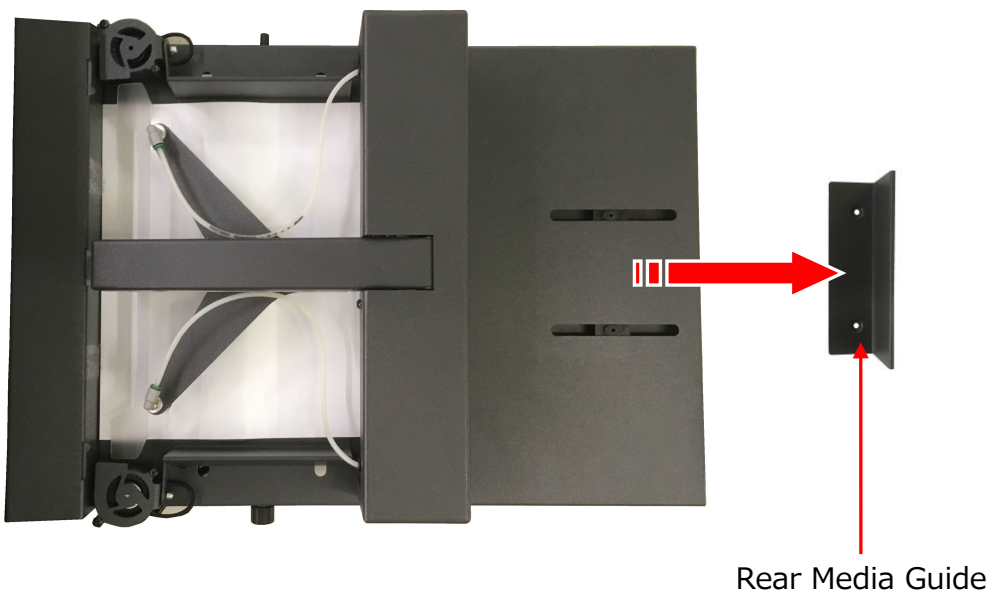
NOTICE

The "Extension Plate" is not included in accessories of F-Mark. It is sold separately.

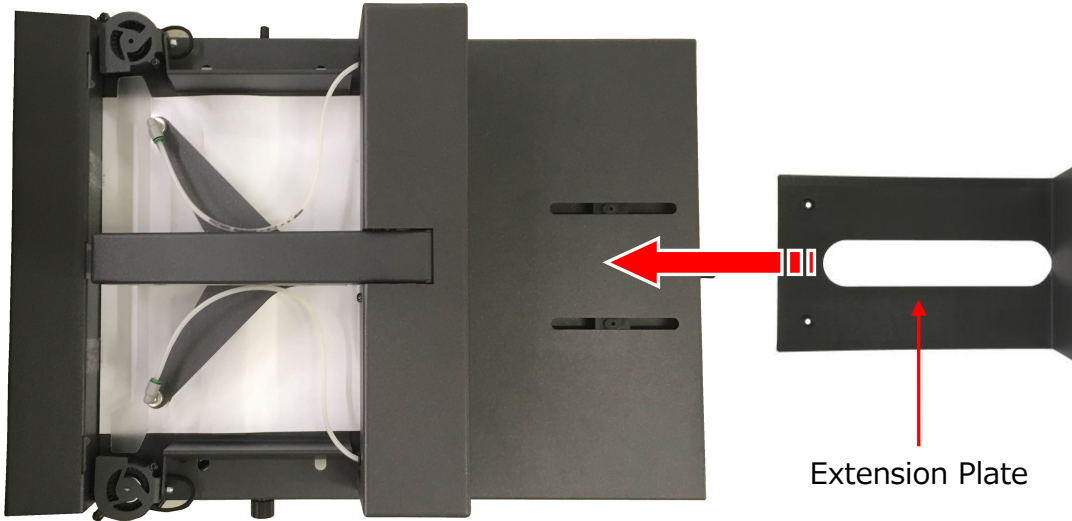
- 1 Remove the two M4L10 allen screws holding the Rear Media Guide using the 2.5mm allen wrench.



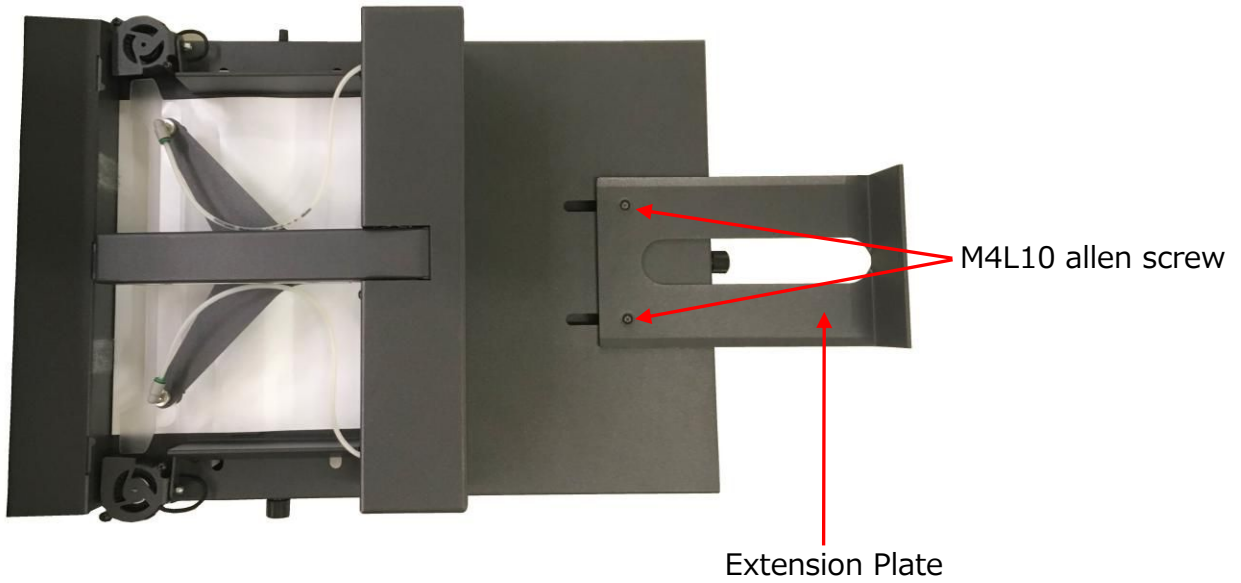
- 2 Detach the Rear Media Guide from the F-Mark.



- 3** Attach the Extension Plate to the F-Mark.



- 4** Fix the Extension Plate to the F-Mark with two M4L10 allen screws using the 2.5mm allen wrench.



How to replace the Suction Cups (It is included for the first replacement, order is necessary for the next replacement) and Insertion Flap(It is sold separately)

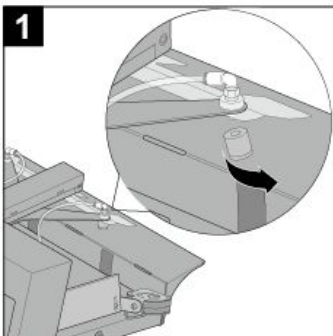
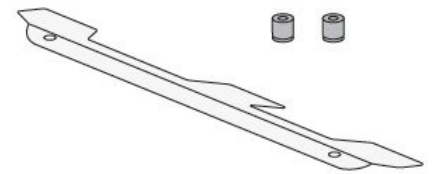
There are two spare Suction Cups available into the accessories box. You have to replace them when you notice some difficulties on picking up the sheet. Upon a normal use of the feeder you have to replace them once a year.

The Insertion Flap helps to keep the sheet flat during the insertion. You have to replace it when damaged.

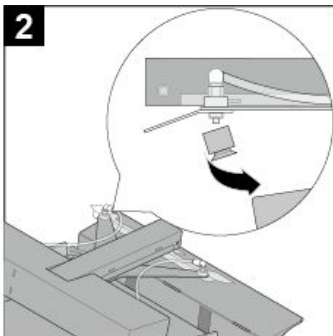
NOTICE

The two “Suction Cups” are included in accessories of F-Mark for the first replacement. Please purchase the “Suction Cups” for next replacement.

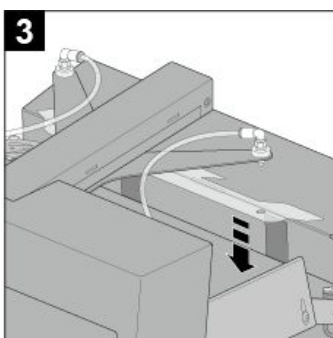
The “Insertion Flap” is not included in accessories of F-Mark. It is sold separately.



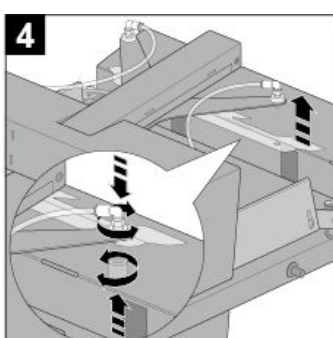
Detach the right side Suction Cup.



Detach the left side Suction Cup.
It detach easily if you pull it diagonally.



Replace the Insertion Flap if necessary.



Insert the Suction Cups.
Hold the arm and fix it, Push firmly the Suction Cup.
Rotate the Suction Cup left and until it clicks.
Moist the Suction Cup to help the insertion.

Troubleshooting

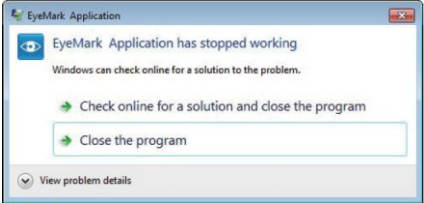
1. When F-Mark power is on, the F-Mark not starts initial movement to move the arm.

Symptom	Check items	Solution
When F-Mark power is on, the F-Mark not starts initial movement to move the arm.	Check that the green light on the power switch is on.	Check that the connection of the AC power adapter and power cord connected correctly.
	Check that the green light on the AC power adapter is on.	Check that the power cord for AC power adapter is not damaged. If power cord is damaged, immediately stop using power cord and replace it.
		Check that the connection of the AC power adapter connected correctly. If green light on the AC power adapter does not on even though it is connected correctly. Immediately stop using AC power adapter and replace it.
	When green light on the power switch is on.	Turn the Blowers Speed Regulation Knob clockwise to check whether Blowers rotates. Please contact to dealer and tell the symptoms.

2. When click the “Cut Test” or “Stat” button in the iMark software, the “F-Mark feeder off or not connected software protected not connected” is displayed on the operate computer and F-Mark does not work.

Symptom	Check items	Solution
When click the “Cut Test” or “Stat” button in the iMark software, the “F-Mark feeder off or not connected software protected not connected” is displayed on the operate computer and F-Mark does not work.	Check that the F-Mark power is on.	Refer to “When F-Mark power is on, the F-Mark not starts initial movement to move the arm”
	Check that the connection of USB cable to connected correctly.	Check that the USB cable of the operate computer is connected to the USB Hub correctly.
		Check that the USB cable of CE6000Plus is connected to the USB Hub correctly.
		Check that the USB cable of camera is connected correctly.
		Check that the USB cable from the inside of F-Mark is connected to USB Hub correctly.
	Check that the USB Hub is used with AC power adapter of USB Hub.	Check that the AC power adapter of USB Hub is connected to USB Hub correctly.
	Check that the each USB cable, and USB Hub connectors, and AC power adapter of USB Hub, are not damaged.	If it is damaged, immediately stop using damaged item, and replace it.
	Put the hands under the camera, and check that the hands displayed in the preview window in the iMark software.	If hands displayed. Recheck that the each USB cable is connected to USB Hub correctly. If F-Mark does not work even though each USB cable connected correctly. Please contact to dealer.
If hands not displayed. Restart the iMark software.		
If hands not displayed even though restart the iMark software.	Restart the operate computer.	
If remaining the problem even though restart the operate computer.	Conner the USB cable that from the camera directly to USB terminal of operate computer. And check that the hands displayed or not	

3. Troubleshooting for other symptoms

Symptom	Check items	Solution
The "Calibration" button of iMark software is gray, and it is not able to calibrate.	The F-Mark and the CE6000Plus is not connected yet or the USB port of computer was disconnected.	Initialize the connection of F-Mark and CE6000Plus. Refer to "Initial setting on CE6000Plus for F-Mark"
The preview window in the iMark software displays black.	The USB cable of the camera is not connected securely.	Confirm the connection of USB cable for the camera.
	The cap of lens is not removed from the camera.	Remove the cap of lens from the camera.
	The initialization of the connection of F-Mark and CE6000Plus did not perform.	Initialize the connection of F-Mark and CE6000Plus. Refer to "Initial setting on CE6000Plus for F-Mark"
The connection via the USB hub is not stable. Sometimes the F-Mark or the camera is not detected.	The AC power adapter of USB hub is not connecting to the USB Hub.	Connect the AC power adapter which is standard accessory of the F-Mark to the USB Hub.
The following error is displayed and the iMark software had stopped working.	The iMark software can not open the file if file is named with some of 2 bytes characters or the combining characters.	Rename the file name by alphabet or numbers.
		
The camera of F-Mark can not detect.	Other camera are used on the computer, which is not used for the F-Mark.	Disconnect the other camera from the computer if it is external camera. Disable the internal camera settings if it is internal camera.

Symptom	Check items	Solution
The media does not reach to the Pinch Roller of CE6000Plus when media is transferred to the CE6000Plus.	The value for the "Insertion" in the iMark software is not enough.	Adjust the "Insertion" value. Input the "Insertion" value from 0 to 10 when the thin media is using. Input the about 30 when the label sheet or the thick media is using. The insertion position adjustment needs to perform when the media type is changed or the position between the F-Mark and CE6000Plus is changed.
The media drops when the media is lifted from the tray.	The media is not adsorbing enough by vacuum.	Turn the "Vacuum Adjusting Knob" to clockwise to increase the vacuum force.
The F-Mark stops after the crop marks are detected.	The crop marks are not detecting by incorrect position of the F-Mark and the CE6000Plus.	Adjust the position of the F-Mark and the CE6000Plus. The crop mark position must display to center in the preview window of iMark software.
	The camera is out of focus. When the focus of camera is not adjusted the crop marks can not detect correctly.	Adjust the focus of camera refer to "How to adjust the Focus of Camera" and then perform the calibration for the crop mark position. Refer to "Calibration of F-Mark".
	The value of "First Marker" in the iMark software is incorrect.	Measure distance between the fist marker (first crop mark) and the front edge of media, and then input the correct value for the "First Marker" in the iMark software.

Symptom	Check items	Solution
The media drops by hitting the edge of "Cutting Mat" or "Groove of Cutter" of CE6000Plus.	The "Uplift" value in the iMark software is not enough.	Increase the "Uplift" value in the iMark software to that the media does not hit the edge of "Cutting Mat" or "Groove of Cutter" of CE6000Plus. The "Insertion" position will be changed when the "Uplift" value is changed. Therefore the "Insertion" position may need to adjust.
	The media is curing too much.	The F-Mark cannot transfer the media correctly if the media has curled too much. Use other media which is not curling.
Sometimes the F-Mark cannot transfer the media to the CE6000Plus correctly.	The media had curled or shrank in the unstable operating environment.	The media will curl or shrink by changing temperature or humidity. Use the F-Mark in the stable operating environment.
	The position between the F-Mark and the CE6000Plus will be changed by vibration.	Use the F-Mark on the stable working table.
The media hits to the "Tool Carriage" of CE6000Plus when the media is transferring to the CE6000Plus.	The firmware of CE6000Plus or CE6000 is old.	Update the firmware to the following. CE6000Plus: Later than version 1.10. CE6000: Later than version 2.50.
The changed values in iMark software are not effected.	The "Cut Test" was not performed. The values effected after "Cut Test" in the iMark software was performed.	Performed "Cut Test" in the iMark software.